

April 2008

No. OCB439

PARTS CATALOG

R410A

[model name]

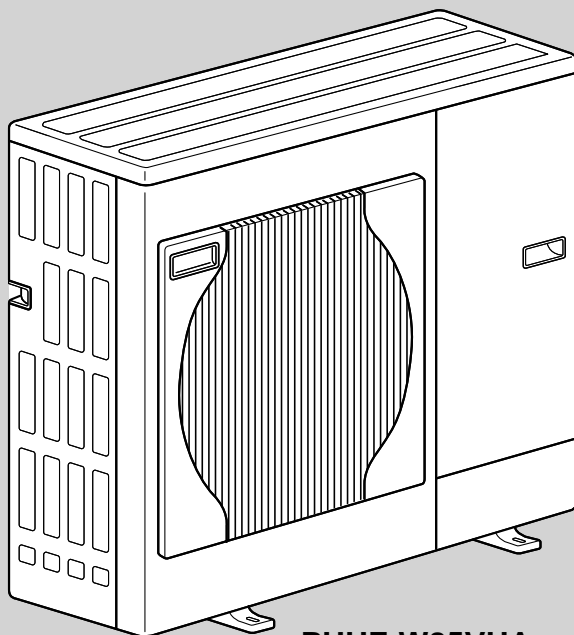
[Service Ref.]

PUHZ-W85VHA

PUHZ-W85VHA

Note:

- RoHS compliant products have <G> mark on the spec name plate.

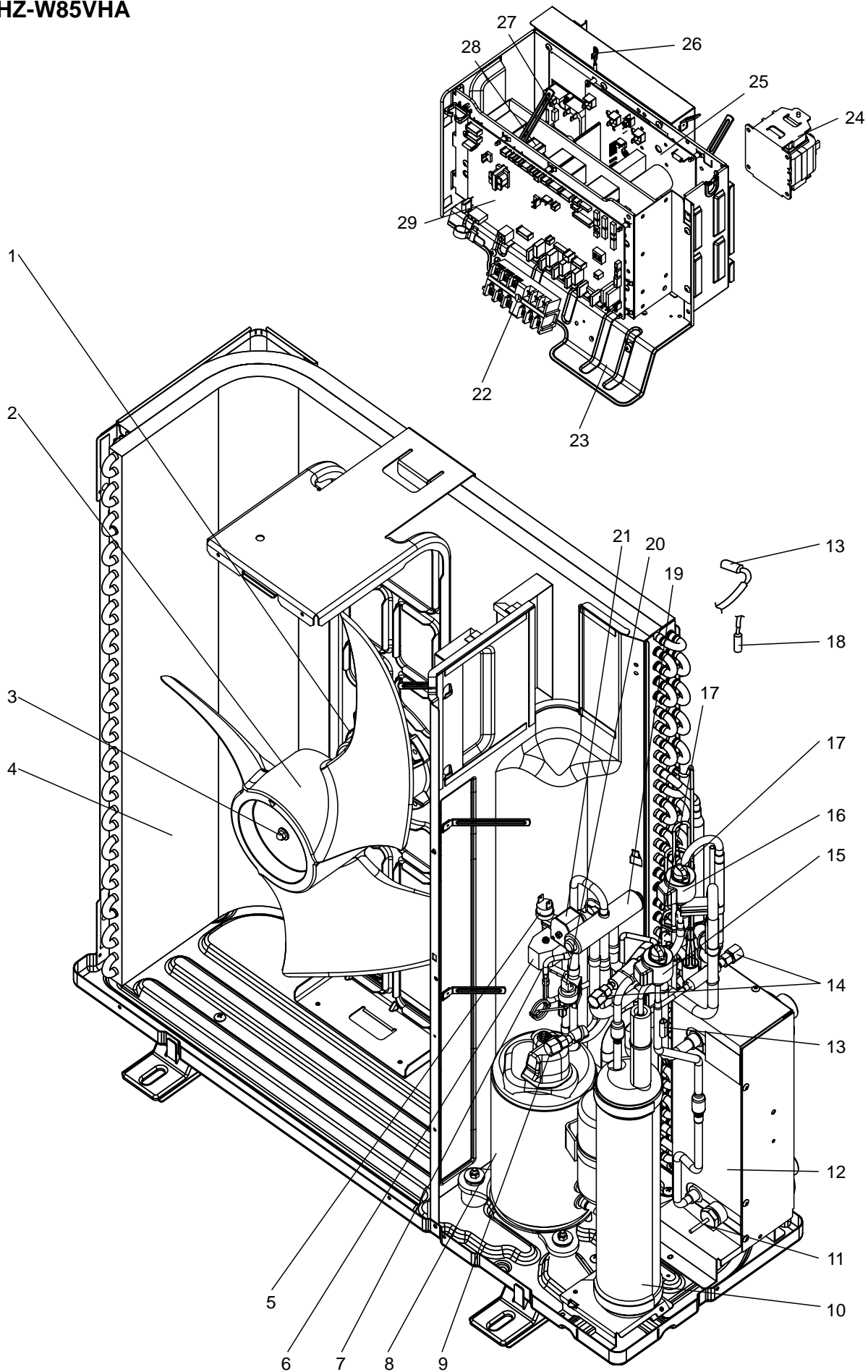


PUHZ-W85VHA

CONTENTS

1. RoHS PARTS LIST..... 2
2. OPTIONAL PARTS..... 6

SERVICE MANUAL (OCH439)

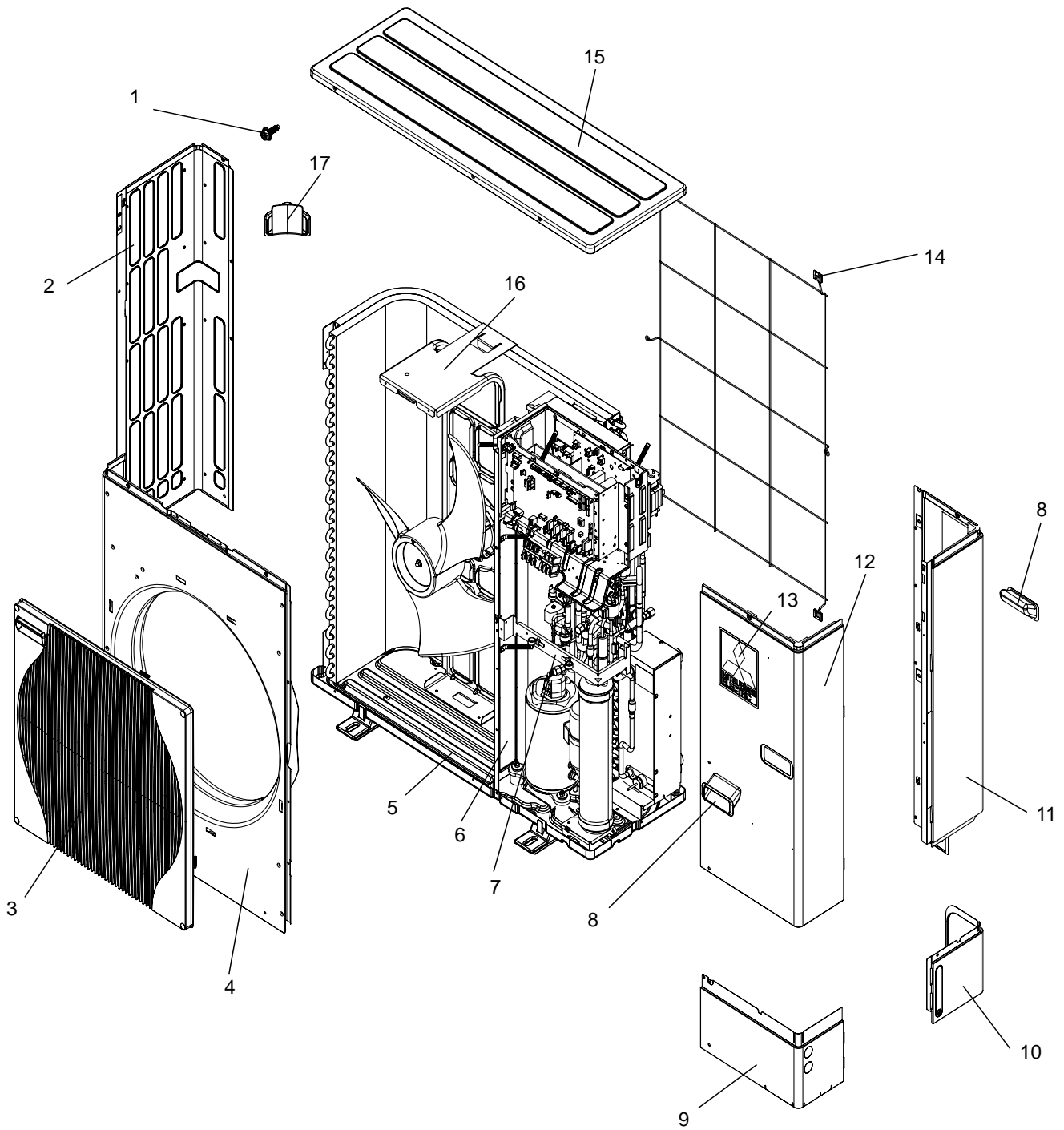
FUNCTIONAL AND ELECTRICAL PARTS
PUHZ-W85VHA



Part numbers that are circled are not shown in the figure.

No.	RoHS	Part No.	Part Name	Specification	Q'ty/unit	Remarks (Drawing No.)	Wiring Diagram Symbol	Recom- mended Q'ty
					PUHZ- W85VHA			
1	G	T7W E27 763	FAN MOTOR		1		MF1	
2	G	R01 E08 115	PROPELLER FAN		1			
3	G	R01 E09 097	NUT		1			
4	G	T7W E47 408	HEAT EXCHANGER		1			
5	G	R01 E06 208	HIGH PRESSURE SWITCH		1		63H	
6	G	T7W E37 242	BYPASS VALVE COIL		1		SV	
7	G	R01 E15 428	BYPASS VALVE		1			
8	G	T92 502 801	COMPRESSOR	TNB220FLHM1	1	With RUBBER MOUNTS	MC	
9	G	R01 E24 413	CHARGE PLUG		1			
10	G	T7W E15 440	RECEIVER		1			
11	G	T7W E19 202	THERMISTOR (INLET WATER)		1		TH32	
12	G	T7W E48 408	PLATE HEAT EXCHANGER		1			
13	G	R01 E94 202	THERMISTOR (PLATE HEX LIQUID, AMBIENT)		1		TH6/TH7	
14	G	R01 E25 413	CHARGE PLUG		2			
15	G	R01 E49 242	LEV COIL	Connector: Red	1		LEV-B	
16	G	T7W E50 242	LEV COIL	Connector: White	1		LEV-A	
17	G	R01 H22 401	LEV		2			
18	G	R01 N03 202	THERMISTOR (OUTDOOR PIPE)		1		TH3	
19	G	R01 E13 403	4 WAY VALVE		1			
20	G	R01 E07 208	HIGH PRESSURE SENSOR		1		63HS	
21	G	T7W E29 242	4 WAY VALVE COIL		1		21S4	
22	G	T7W E29 716	TERMINAL BLOCK	6P (L, N, 0, S1, S2, S3)	1		TB1	
23	G	—	ELECTRICAL PARTS BOX		1	(BK00B055G34)		
24	G	T7W E17 259	REACTOR		1		DCL	
25	G	T7W E49 313	POWER CIRCUIT BOARD		1		P.B.	
26	G	R01 E99 202	THERMISTOR (HEATSINK)		1		TH8	
27	G	T7W E03 233	ACTIVE FILTER MODULE		1		ACTM	
28	G	R01 E18 346	NOISE FILTER CIRCUIT BOARD		1		N.F.	
29	G	T7W E68 315	CONTROLLER CIRCUIT BOARD		1		C.B.	
③⑩	G	R01 E09 201	THERMISTOR (DISCHARGE)		1		TH4	
③⑪	G	—	HEATSINK		1	(BK11B272H04)		
③⑫	G	R01 E06 239	FUSE	250 V. 6.3 A	4		F1, 2, 3, 4	

STRUCTURAL PARTS
PUHZ-W85VHA





No.	RcHS	Part No.	Part Name	Specification	Q'ty/unit	Remarks (Drawing No.)	Wiring Diagram Symbol	Recom- mended Q'ty
					PUHZ- W85VHA			
1	G	—	F.ST SCREW (5×10)		31	(DG12F536H10)		
2	G	R01 E16 662	SIDE PANEL (L)		1			
3	G	R01 E33 691	FAN GRILLE		1			
4	G	R01 E13 668	FRONT PANEL		1			
5	G	T7W E17 686	BASE ASSY		1			
6	G	—	SEPARATOR		1	(BK00C143GA6)		
7	G	—	STAY		1	(BK00G125G05)		
8	G	R01 E01 655	HANDLE		2			
9	G	T7W E02 658	COVER PANEL (FRONT)		1			
10	G	T7W E01 658	COVER PANEL (REAR)		1			
11	G	T7W E21 661	SIDE PANEL (R)		1			
12	G	T7W E07 668	SERVICE PANEL		1			
13	G	—	LABEL (MITSUBISHI)		1	(DG79R130H01)		
14	G	R01 E06 698	REAR GUARD		1			
15	G	R01 E14 641	TOP PANEL		1			
16	G	R01 E30 130	MOTOR SUPPORT		1			
17	G	R01 E02 655	HANDLE		1			

2**OPTIONAL PARTS****2-1. AIR OUTLET GUIDE**

Part No.	PAC-SG59SG-E
----------	--------------

2-2. AIR GUIDE

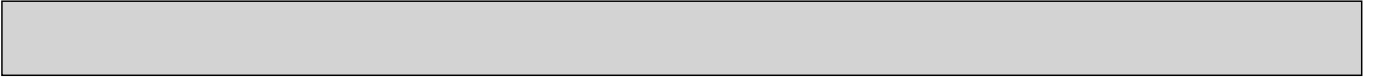
Part No.	PAC-SG57AG-E
----------	--------------

2-3. DRAIN SOCKET

Part No.	PAC-SG61DS-E
----------	--------------

2-4. DRAIN PAN

Part No.	PAC-SG64DP-E
----------	--------------





HEAD OFFICE : TOKYO BLDG., 2-7-3, MARUNOUCHI, CHIYODA-KU, TOKYO 100-8310, JAPAN

This pdf has been downloaded from the website of :

“Supplying and installing the latest in air conditioning technology”

° Celsius
air conditioning

Celsius Air Conditioning Ltd, I Well Street, Heywood, Greater Manchester OL10 INT

 01706 367 500  07000 CELSIUS  01706 367 355  sales@celsiusair.co.uk  www.celsiusair.co.uk

www.celsiusair.co.uk