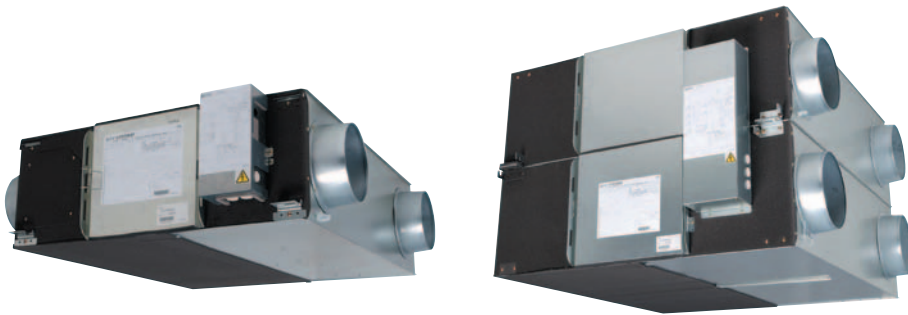
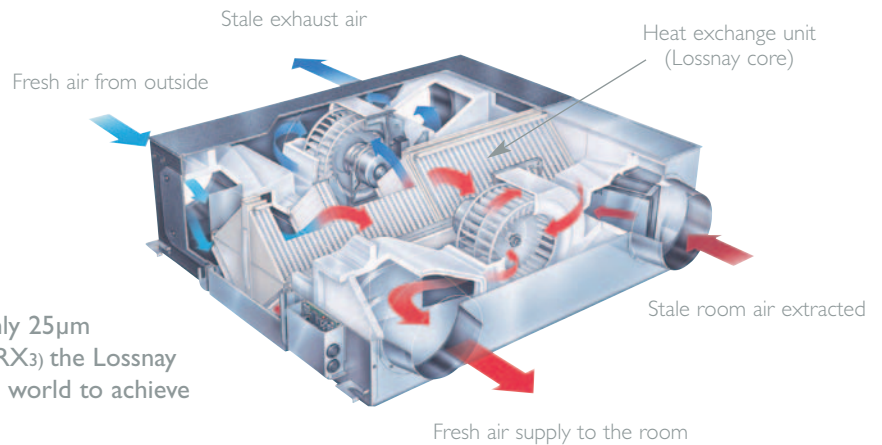


# LGH-RX4

## Commercial Series

This commercially orientated system can be utilised virtually anywhere.

- > Effective fresh air ventilation
- > High heat recovery
- > Free cooling function
- > Good sound attenuation
- > New “Hyper Lossnay Core”. At only 25µm (approx 1/5 the thickness of LGH-RX3) the Lossnay core uses the thinnest paper in the world to achieve high enthalpy exchange efficiency



Technical Information >>

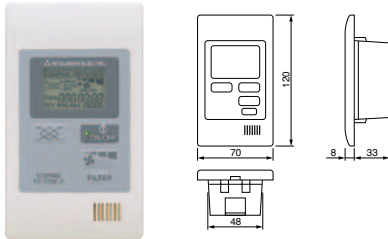
LOSSNAY		COMMERCIAL LGH-15RX4	COMMERCIAL LGH-25RX4	COMMERCIAL LGH-35RX4	COMMERCIAL LGH-50RX4	COMMERCIAL LGH-80RX4	COMMERCIAL LGH-100RX4	COMMERCIAL LGH-150RX4	COMMERCIAL LGH-200RX4	
ELECTRICAL POWER SUPPLY		220-240V, 50Hz	220-240V, 50Hz	220-240V, 50Hz	220-240V, 50Hz	220-240V, 50Hz	220-240V, 50Hz	220-240V, 50Hz	220-240V, 50Hz	
STARTING CURRENT (A)		0.7	0.8	1.7	1.9	3.6	5.4	7.2	10.8	
MAX RUNNING CURRENT (A)	Low	0.22	0.25	0.49	0.60	1.4	1.7	2.7	3.5	
	High	0.31	0.40	0.73	0.93	1.6	2.0	3.1	4.2	
	Extra High	0.45	0.49	0.82	0.96	1.7	2.1	3.3	4.3	
MAX INPUT POWER (W) Extra High		107	117	192	228	385	590	770	1010	
AIRFLOW (m³/h)	Low	110	165	230	350	670	870	1250	1650	
	High / Extra High	150	250	350	500	800	1000	1500	2000	
NOISE (dBA)	Lossnay Ventilation	Lo-Hi-ExHi	23-25-27	23-26-27.5	24-30-32	24.5-31.5-34	31-33-34.5	32.5-35-37	33.5-36.5-37.5	36-38-40
	Bypass Ventilation	Lo-Hi-ExHi	23-25-27	23-26.5-28	24-30-32.5	25.5-33-35.5	31.5-34-35.5	34-36.5-38	36.5-38.5-40	37-39.5-41
TEMPERATURE EXCHANGE EFFICIENCY (%)	Low	81	83.5	84	82	80.5	81	81.5	81.5	
	High / Extra High	77	78	79	77	78	79	79	79	
WEIGHT (kg)		17	21	30	33	61	69	124	140	
DIMENSIONS (mm)	Width	610	735	874	1016	1004	1231	1004	1231	
	Depth	780	780	888	888	1164	1164	1164	1164	
	Height	275	275	317	317	398	398	800	800	
DUCT SIZE (mm)		100	150	150	200	250	250	270	270	
FUSE RATING (BS88) – HRC (A)		6	6	6	6	6	10	16	16	
MAINS CABLE No. Cores		3	3	3	3	3	3	3	3	

Notes: Extra High mode available via dip switch setting.

## LGH-15RX4 to LGH-200RX4

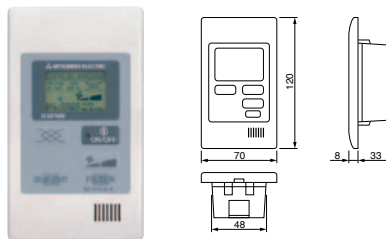
### M-NET Controller PZ-52SF-E (M-NET)

Control 16 Lossnay units from sizes  
15 -100 or up to 8, sizes 150 - 200

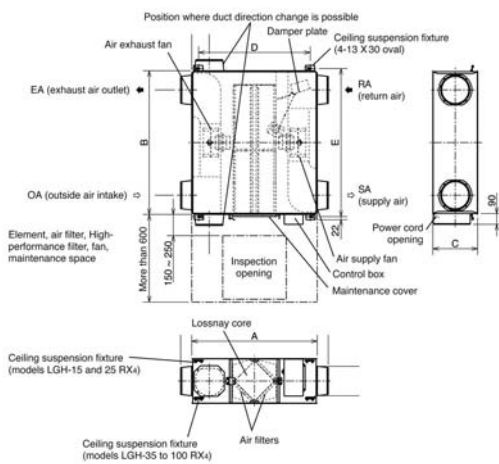


### Lossnay Controller PZ-41SLB-E

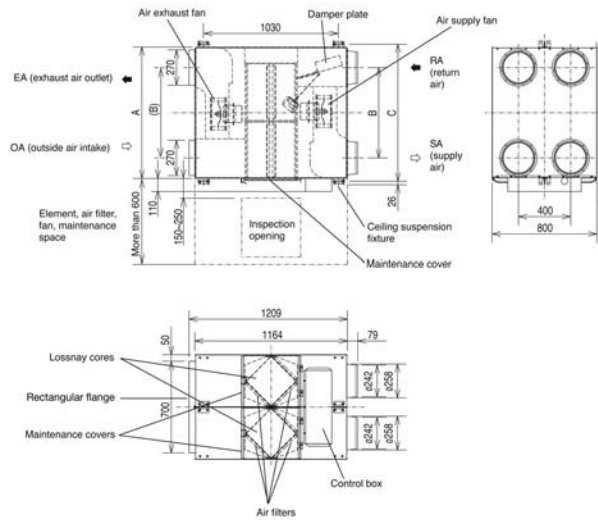
Control 15 Lossnay units from sizes  
15 -100 or up to 7, sizes 150 - 200



### LGH-15-100RX4 >



### LGH-150-200RX4 >



MODEL REFERENCE	DIMENSIONS			CEILING SUSPENSION FIXTURE PITCH		NOMINAL DIAMETER
	A	B	C	D	E	
LGH-15RX4	780	610	275	700	641	ø100
LGH-25RX4	780	735	275	700	765	ø150
LGH-35RX4	888	874	317	790	906	ø150
LGH-50RX4	888	1016	317	790	1048	ø200
LGH-80RX4	1164	1004	398	1030	1036	ø250
LGH-100RX4	1164	1231	398	1030	1263	ø250

MODEL REFERENCE	A	B	C
LGH-150RX4	1004	690	1046
LGH-200RX4	1231	920	1273

**This pdf has been downloaded from the website of :**

“Supplying and installing the latest in air conditioning technology”

**° Celsius**  
**air conditioning**

Celsius Air Conditioning Ltd, I Well Street, Heywood, Greater Manchester OL10 INT

 01706 367 500  07000 CELSIUS  01706 367 355  sales@celsiusair.co.uk  www.celsiusair.co.uk

**www.celsiusair.co.uk**