

MXZ-A-VA Inverter Heat Pump (5.4 - 8.0kW)

R410A Multi-Split Units

New Series

The multi-split system allows up to four M Series or Mr Slim wall mounted, cassette, ducted, floor or ceiling mounted indoor unit heat-pumps of different capacities to be operated from a single outdoor unit. This makes it an economic answer in multi-room applications, whilst also offering space saving benefits.

- > Up to four indoor units may be connected to a single outdoor unit
- > Energy saving inverter controlled outdoor unit adjusts compressor performance to economically match the demand for heating and cooling
- > Units may be added within the capacity of the system as requirements change
- > Single outdoor unit for minimal noise and space impact
- > Capacities of indoor units may be mixed to suit individual rooms



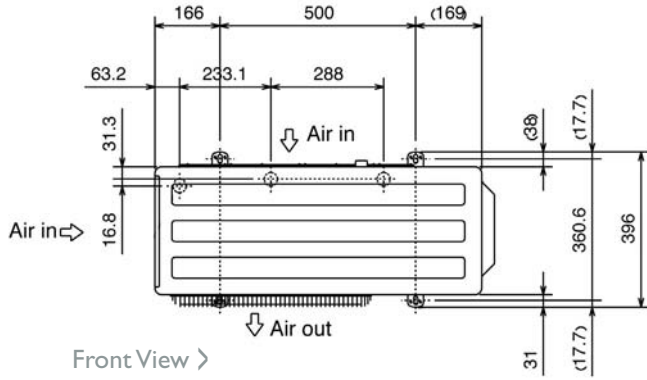
Technical Information >>

MULTI-SPLIT - INDOOR UNITS					
MODEL REFERENCE	WALL MOUNTED	FLOOR MOUNTED	DUCTED	CEILING CASSETTE	CEILING SUSPENDED
MXZ-3A54VA	MSZ-GA22/25/35/50VA	MFZ-KA25/35/50VA	SEZ-KA35/50VA PEAD-RP50EA	SLZ-KA25/35/50VA PLA-RP50AA	PCA-RP50GA
MXZ-4A71VA	MSZ-GA22/25/35/50/60VA	MFZ-KA25/35/50VA	SEZ-KA35/50/60VA PEAD-RP50EA	SLZ-KA25/35/50VA PLA-RP50/60AA	PCA-RP50/60GA
MXZ-4A80VA	MSZ-GA22/25/35/50/60/71VA	MFZ-KA25/35/50VA	SEZ-KA35/50/60VA PEAD-RP50EA	SLZ-KA25/35/50VA PLA-RP50/60/71AA	PCA-RP50/60/71GA

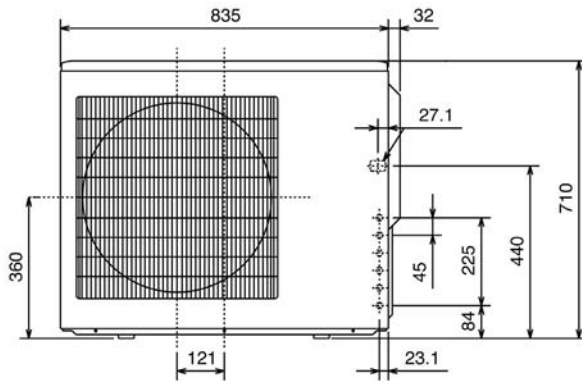
MXZ-A-VA - OUTDOOR UNITS		MXZ-3A54VA	MXZ-4A71VA	MXZ-4A80VA
MODEL REFERENCE				
NUMBER OF CONNECTABLE INDOOR UNITS		2 - 3	2 - 4	2 - 4
CAPACITY (kW)	Heating (nominal)	6.8 (2.6-9.0)	8.6 (3.4-9.0)	9.4 (3.4-11.6)
	Cooling (nominal)	5.4 (2.9-6.8)	7.1 (3.7-8.8)	8.0 (3.7-9.2)
	Heating (UK)	5.65 (2.15-7.5)	7.15 (2.85-7.5)	7.8 (2.85-9.65)
	Cooling (UK)	5.35 (2.9-6.75)	7.05 (3.65-8.75)	7.95 (3.65-9.15)
COP / EER (nominal)		4.67 / 4.17	4.41 / 3.68	4.87 / 3.65
ENERGY LABEL	Heating/Cooling	A / A	A / A	A / A
MAX AIRFLOW (m3/min)	Heating/Cooling	41.2 / 42.1	46.5 / 42.1	43.8 / 42.2
NOISE (dBA)	Heating/Cooling - Lo-Hi	47-48 / 44-46	48-50 / 45-48	46-48 / 44-46
DIMENSIONS (mm)	Width	840 (+30)	840 (+30)	900
	Depth	330	330	320 (+35)
	Height	710	710	900
WEIGHT (kg)		57	58	70
ELECTRICAL SUPPLY		220-240v, 50Hz	220-240v, 50Hz	220-240v, 50Hz
POWER INPUT (kW)	Heating/Cooling (nominal)	1.455 / 1.295	1.95 / 1.93	1.93 / 2.19
	Heating/Cooling (UK)	1.32 / 1.04	1.77 / 1.54	1.76 / 1.75
STARTING CURRENT (A)		6.39	8.56	9.62
RUNNING CURRENT (A)	Heating/Cooling	6.39 / 5.69	8.56 / 8.48	8.48 / 9.62
INTERCONNECTING CABLE No. CORES		4 Core	4 Core	4 Core
TOTAL PIPE LENGTH (m)		50	60	70
MAX PIPE LENGTH PER INDOOR UNIT (m)		25	25	25
MAX HEIGHT DIFFERENCE (m)		15 (10 if Outdoor higher than Indoor)	15 (10 if Outdoor higher than Indoor)	10
CHARGE R410A (kg) - 40m		2.7	2.7	3.5
FUSE RATING (BS88) - HRC (A)		16	25	25

OUTDOOR UNIT MXZ-3A54VA / MXZ-4A71VA

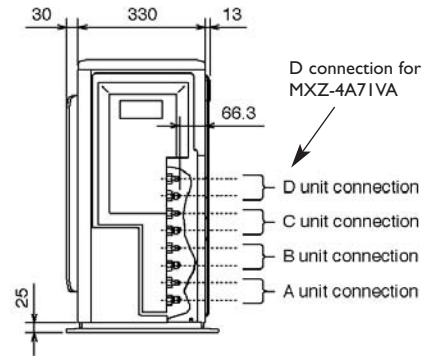
Upper View >



Front View >

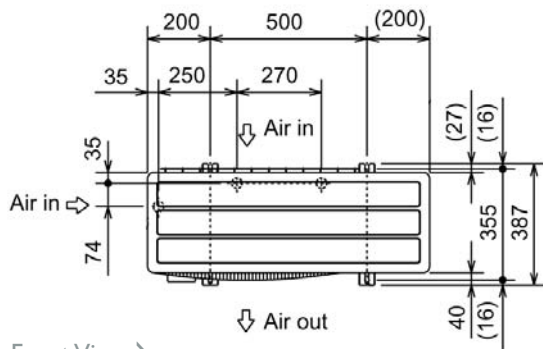


Side View >

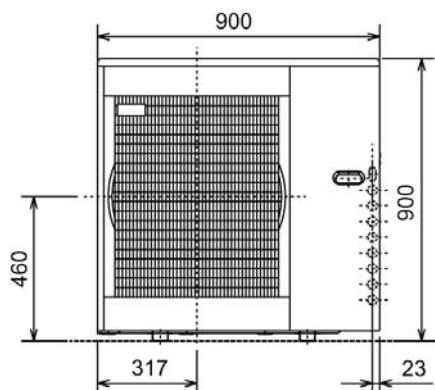


OUTDOOR UNIT MXZ-4A80VA

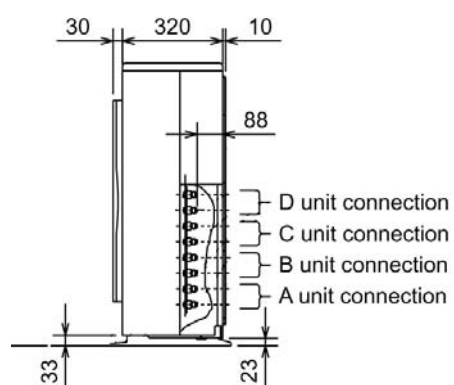
Upper View >



Front View >



Side View >



This pdf has been downloaded from the website of :

“Supplying and installing the latest in air conditioning technology”

° Celsius
air conditioning

Celsius Air Conditioning Ltd, 1 Well Street, Heywood, Greater Manchester OL10 1NT

 01706 367 500  07000 CELSIUS  01706 367 355  sales@celsiusair.co.uk  www.celsiusair.co.uk

www.celsiusair.co.uk