

PEAD-RP Cooling Only

R407c Ceiling Concealed Ducted System

New Models



Technical Information >>

PEAD-RP - INDOOR UNITS		PEAD-RP35EA	PEAD-RP50EA	PEAD-RP60EA	PEAD-RP71EA	PEAD-RP100EA	PEAD-RP125EA	PEAD-RP140EA
CAPACITY (kW)	Cooling (nominal)	4.45	5.6	6.6	7.6	9.6	12.2	14.0
	Cooling (UK)	4.0	5.05	5.95	6.85	8.65	11.0	12.6
SHF (nominal)		0.72	0.74	0.71	0.78	0.75	0.74	0.74
AIRFLOW (m3/min)	Lo-Hi	11-14	13.5-17	17-21	20-25	27-34	33.5-42	36.5-46
PIPE SIZE mm(in)	Gas	15.88 (5/8")	15.88 (5/8")	15.88 (5/8")	15.88 (5/8")	19.05 (3/4")	19.05 (3/4")	19.05 (3/4")
	Liquid	9.52 (3/8")	9.52 (3/8")	9.52 (3/8")	9.52 (3/8")	9.52 (3/8")	9.52 (3/8")	9.52 (3/8")
EXTERNAL STATIC PRESSURE (Pa)	Lo-Hi	30-70	30-70	30-70	70-130*1	70-130*2	70-130*3	70-130*3
NOISE (dBA)	Lo-Hi (*4)	34-38 (36-43)	36-40 (38-44)	37-41 (39-46)	37-41 (40-45)	41-46 (42-48)	44-50 (46-52)	46-51 (47-53)
DIMENSIONS (mm)	Width	935	935	1175	1175	1415	1415	1715
	Depth	700	700	700	740	740	740	740
	Height	295	295	295	325	325	325	325
WEIGHT (kg)		33	35	42	44	62	65	70
ELECTRICAL SUPPLY		Fed by Outdoor Unit	Fed by Outdoor Unit	Fed by Outdoor Unit	Fed by Outdoor Unit	Fed by Outdoor Unit	Fed by Outdoor Unit	Fed by Outdoor Unit
PHASE		Single	Single	Single	Single	Single	Single	Single
FUSE RATING (BS88) – HRC (A)		6	6	6	6	6	6	6
INTERCONNECTING CABLE No. CORES		4	4	4	4	4	4	4

Notes: External static pressure - (35-60: 30 + 70Pa connections as standard) / (71-140: 130Pa optional fan motor - *1 PAC-SK005MT-F, *2 PAC-SK004MT-F, *3 PAC-SK003MT-F). *4 70Pa (35-60) / 130Pa optional fan motor (71-140).

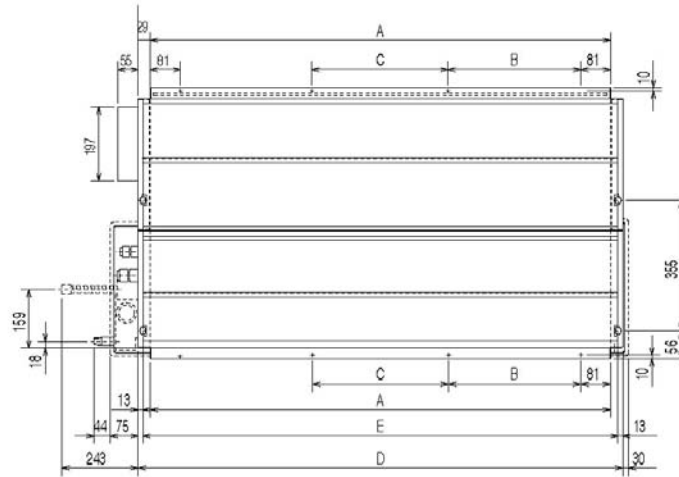
PU-P - OUTDOOR UNITS		PU-P35YGAA	PU-P50YGAA	PU-P60YGAA	PU-P71YGAA / YGAA	PU-P100YGAA	PU-P125YGAA	PU-P140YGAA
NOISE (dBA)		47	48	48	49	51	55	57
WEIGHT (kg)		54	74	79	79	97	125	125
DIMENSIONS (mm)	Width	900	900	900	900	900	1050	1050
	Depth	330 + 20	330 + 20	330 + 20	330 + 20	330 + 20	330 + 20	330 + 20
	Height	650	855	855	855	1260	1260	1260
ELECTRICAL SUPPLY		220-240v, 50Hz	220-240v, 50Hz	220-240v, 50Hz	220-240v, 50Hz / 380-415v, 50Hz	380-415v, 50Hz	380-415v, 50Hz	380-415v, 50Hz
PHASE		Single	Single	Single	Single / 3	3	3	3
SYSTEM POWER INPUT (kW)	(nominal)	1.71	2.53	2.65	3.35	3.83	4.87	5.81
	(UK)	1.45	2.15	2.25	2.85	3.26	4.14	4.94
STARTING CURRENT (A)		36	62	77	93 / 47	49	65.5	74
SYSTEM RUNNING CURRENT (A)		7.91	10.87	12.6	16.36 / 6.84	8.08	10.22	11.72
FUSE RATING (BS88) – HRC (A)		16	16	25	32 / 16	20	20	25
MAINS CABLE No. Cores		3	3	3	3 / 5	5	5	5
MAX PIPE LENGTH (m)		40	40	50	50	50	50	50
MAX HEIGHT DIFFERENCE (m)		40	40	50	50	50	50	50
CHARGE R407c (kg)		2.5	2.6	3.1	3.3	4.0	4.6	4.9

Notes: All units are charged to 20m (35-60) and 30m (71-140) pipe length.

INDOOR UNIT PEAD-RP35-60EA

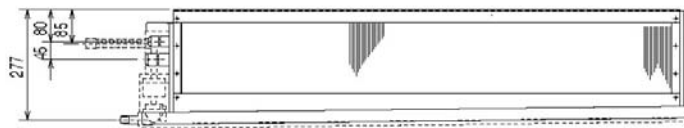
For PEAD-RP71-140EA schematics please see page 59

Upper View >

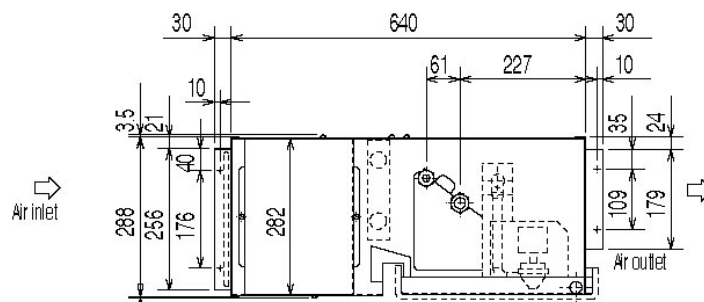


Models	A	B	C	D	E
Size 35-50	772	305	-	830	804
Size 60	1012	280	290	1070	1044

Front View >



Side View >



This pdf has been downloaded from the website of :

“Supplying and installing the latest in air conditioning technology”

° Celsius
air conditioning

Celsius Air Conditioning Ltd, 1 Well Street, Heywood, Greater Manchester OL10 1NT

 01706 367 500  07000 CELSIUS  01706 367 355  sales@celsiusair.co.uk  www.celsiusair.co.uk

www.celsiusair.co.uk