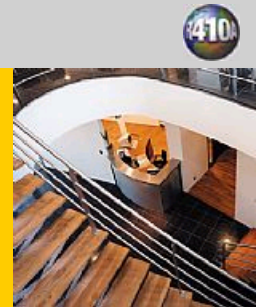




CMB-P104V-G1

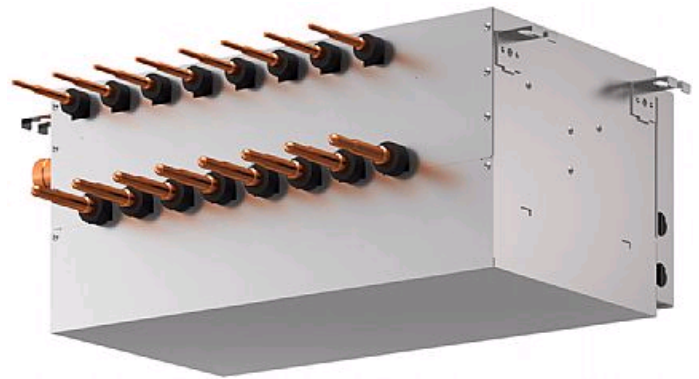
BC Controller

R410A



At the heart of both the R2 and WR2 Series, the BC Controller makes simultaneous heating and cooling possible. It has the inherent 'intelligence' to be the system's decision-maker. The CMB-P104V-G1 unit is for use with PURY-(E)P200-350YJM-A outdoor units & PQRV-P200-300YHM-A condensing units only.

- **New brazed connections**
- **Transfers energy around the system, drawing on energy from the heat source units/outdoor units**
- **Directing energy as requested by the individual indoor units**
- **Instructs the heat source unit/outdoor unit on the amount of refrigerant (liquid or gas) that is required to achieve the requested cooling or heating requirements**
- **Allows unique 2-pipe heat recovery**
- **HIC Circuit for improved efficiency**



Pictures not to scale

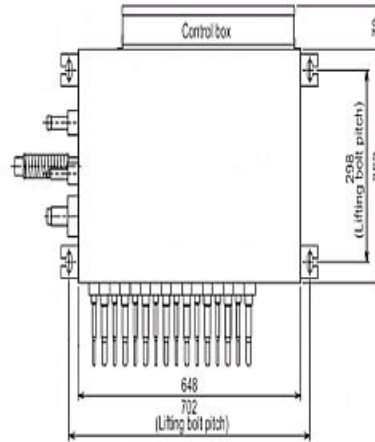
Product Details

CMB-P104V-G1	
Number of Connections	4
Power Input (kW) Heating (Nominal)	0.085
Power Input (kW) Cooling (Nominal)	0.085
Width - mm	648
Depth - mm	432
Height - mm	284
Weight - kg	24
Electrical Supply	220-240v, 50Hz
Phase	Single
Mains Cable No. Cores	3
Running Current (A) - Heating	0.36
Running Current (A) - Cooling	0.36
Fuse Rating (BS88) - HRC (A)	6

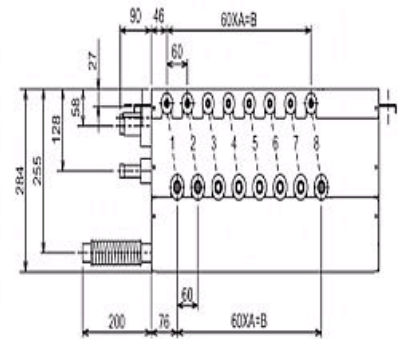
Dimensions

CMB-P104V-G1

Upper View >



Side View >



	A	B
CMB-P104V-G1	3	180
CMB-P105V-G1	4	240
CMB-P106V-G1	5	300



Telephone: 01707 282880

Email: air.conditioning@meuk.mee.com Website: <http://www.mitsubishielectric.co.uk/aircon>

CELSIUS AIR CONDITIONING LTD
1, WELL STREET
HEYWOOD
OL10 1NT
Tel: 01706 367500
Fax: 01706 367355

Mitsubishi Electric reserves the right to make any variation in technical specification to the equipment described, or to withdraw or replace products without prior notification or public announcement.

