

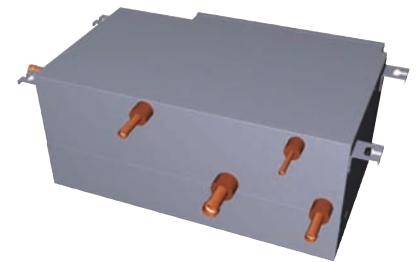
Water System Connection Box (WCB)

Following the success of PWFY, this new low cost branch controller allows simple heat recovery between 2 ports, one being heating only with PWFY, the other being heating or cooling with PWFY or standard indoor units. A key factor with the WCB is the ability to allow 200% connectable index to the system.

Typically the outdoor unit of a system is sized to match the internal load. For a communications room there is a continuous cooling load and under normal circumstances all the heat is wasted to the outside.

By utilising a WCB, a system can be sized for the cooling load of a communications room and then use the delivery of cold water from a PWFY to achieve this. The system can then benefit from full heat recovery of up to 200% by connecting a second PWFY in heating mode that can deliver sanitary hot water or hot water for space heating elsewhere in the building.

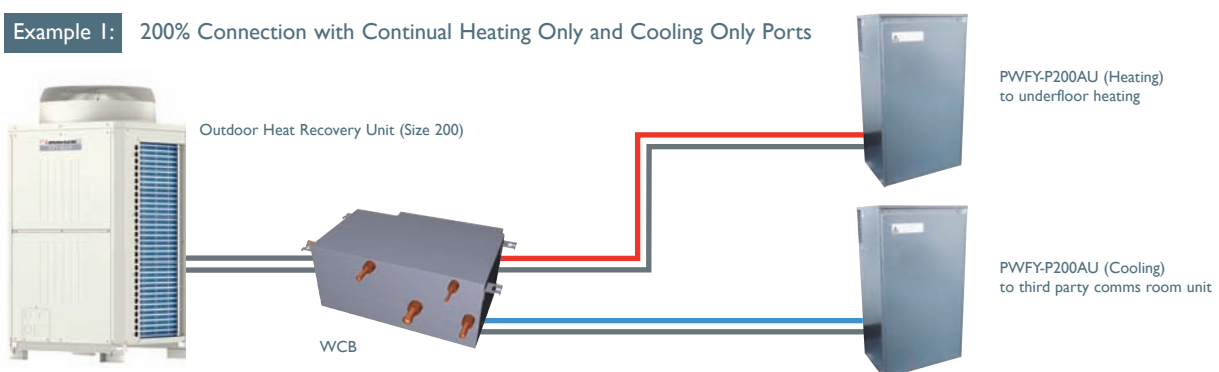
- Total heat recovery, transferring all energy around the system
- 200% connectable heat recovery index for optimum efficiency, flexibility and cost savings (130% when connecting with standard indoor units)
- Energy saving mode available (longer heat up time, but with a 15% COP improvement on standard control)
- Installation cost and time savings
- Connectable to both BU and AU PWFY models



Technical Information

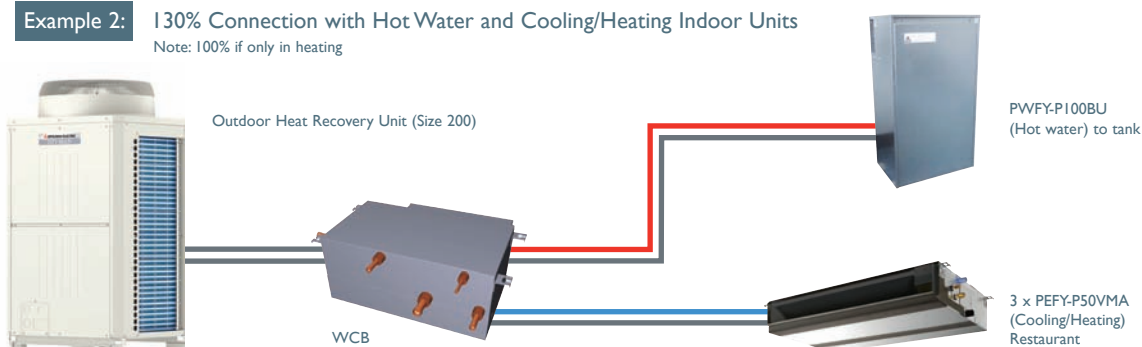
WCB		
MODEL REFERENCE		CMB-PW202V-J
COMPATIBLE OUTDOOR / CONDENSING UNITS		PURY-(E)P200-350YJM-A / PQRY-P200-300YHM-A
WEIGHT (kg)		20
DIMENSIONS (mm)	Width	648
	Depth	432
	Height	284
ELECTRICAL SUPPLY		220-240v, 50Hz
PHASE		Single
POWER INPUT (KW)		0.024
RUNNING CURRENT (A)		0.10
FUSE RATING (BS88) – HRC (A)		6
MAINS CABLE No. Cores		3

Example 1: 200% Connection with Continual Heating Only and Cooling Only Ports



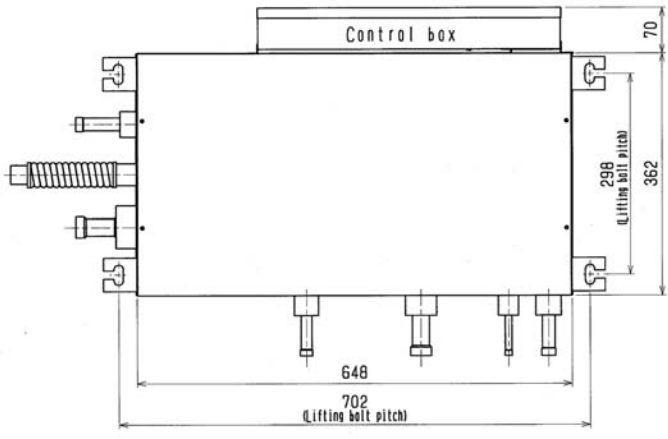
Example 2: 130% Connection with Hot Water and Cooling/Heating Indoor Units

Note: 100% if only in heating

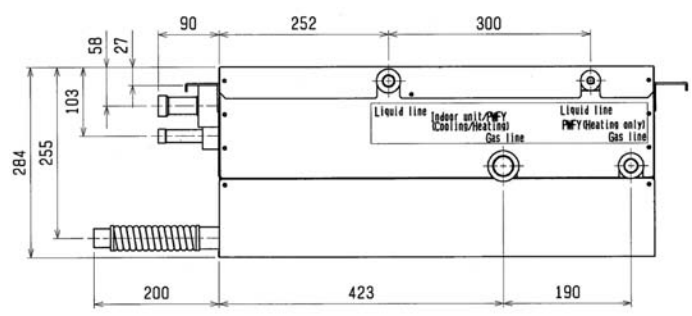


CMB-PW202V-J

Upper View >



Side View >



Front View >

