



# Celsius

air conditioning

## PEFY-P50VMS1-E

Indoor Unit

Ultra Thin Ceiling Concealed Ducted



The ultra thin ceiling concealed ducted indoor unit offers increased flexibility and is particularly suitable for places where low noise operation is desired from a slimline body.

- **Ultra thin body - height of only 200mm**
- **Extremely quiet operation - as low as 22dBA**
- **Cooling operation set temperature can be set down to 14°C db when used with R410A**
- **Static Pressures of 5-50Pa**



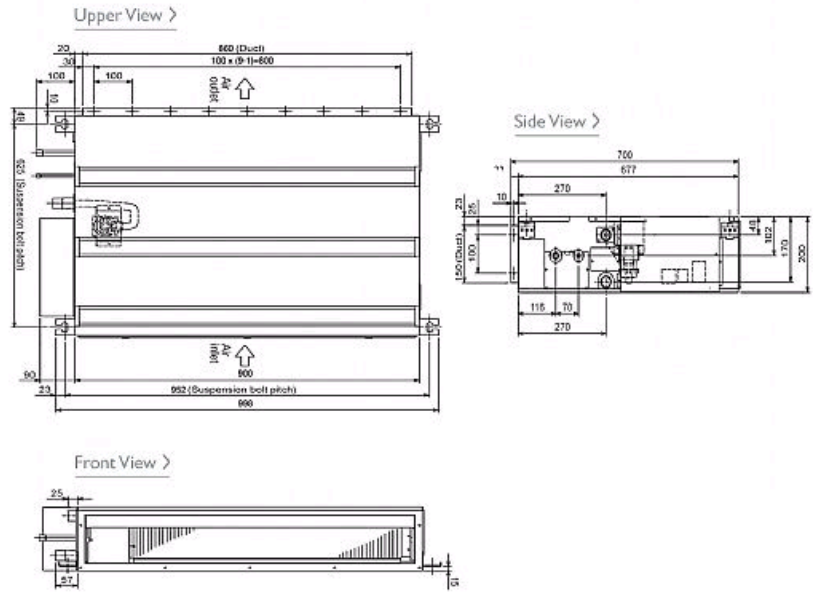
Pictures not to scale

## Product Details

PEFY-P50VMS1-E	
Capacity (kW):	
Heating (Nominal)	6.3
Cooling (Nominal)	5.6
Heating (UK)	5.8
Cooling (UK)	5.0
R410A High Sensible Cooling (UK)	4.1
SHF R410A (UK)	0.74
SHF High Sensible R410A (UK)	0.78
Power Input (kW) Heating (Nominal)	0.07
Power Input (kW) Cooling (Nominal)	0.09
Airflow(m <sup>3</sup> /min) - Lo-Mi1-Mi2	9.5-11-13
External Static Pressure Pa(mmAq) - Lo-Mi	5-50(15)
Noise (dBA) - Lo-Mi1-Mi2	30-32-35
Width - mm	700
Depth - mm	990
Height - mm	200
Weight - kg	24
Electrical Supply	220-240v, 50Hz
Phase	Single
Mains Cable No. Cores	3
Running Current (A) - Heating	0.56
Running Current (A) - Cooling	0.67
Fuse Rating (BS88) - HRC (A)	6

## Dimensions

PEFY-P50VMS1-E



Telephone: 01707 282880

Email: [air.conditioning@meuk.mee.com](mailto:air.conditioning@meuk.mee.com) Website: <http://www.mitsubishielectric.co.uk/aircon>

**CELSIUS AIR CONDITIONING LTD**  
**1, WELL STREET**  
**HEYWOOD**  
**OL10 1NT**  
**Tel: 01706 367500**  
**Fax: 01706 367355**

Mitsubishi Electric reserves the right to make any variation in technical specification to the equipment described, or to withdraw or replace products without prior notification or public announcement.

