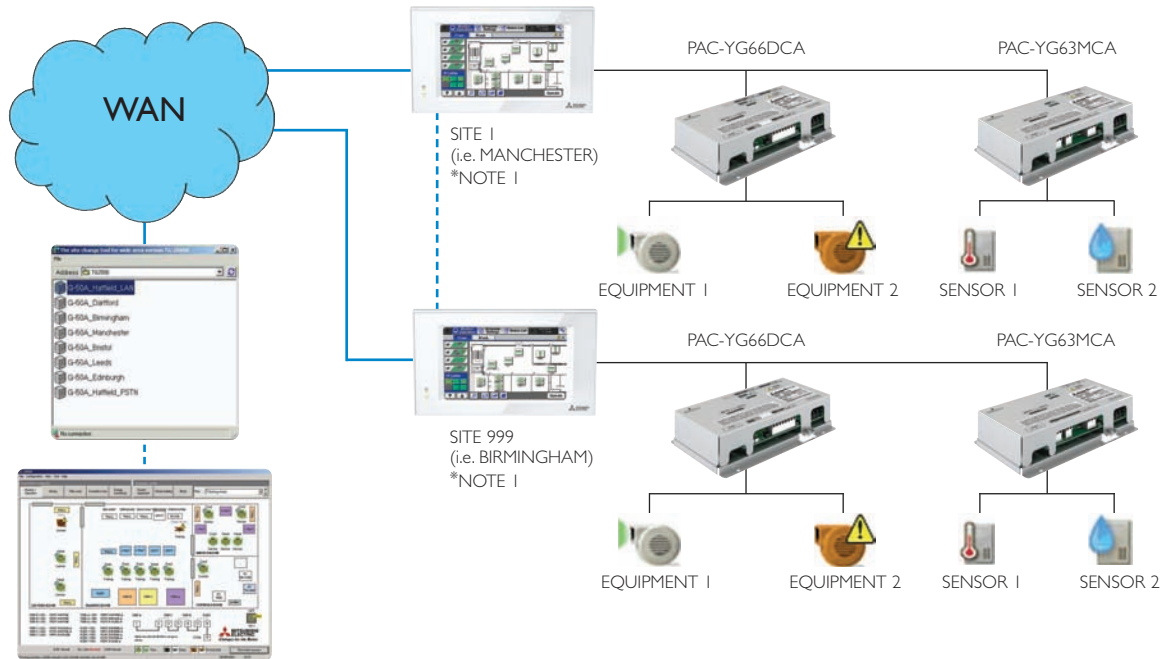


TG2000 WAN (Wide Area Network) Software

PC Based Software Package used to monitor and control multiple sites

The TG2000 WAN centralised PC based graphical software package allows the operator to control and monitor up to a maximum of 1000 sites. Utilising the companies Wide Area Network, the complete (geographically distributed) air conditioning asset base can be controlled and monitored from a centralised location.



Technical Information

TG2000WAN (Wide Area Network) Software

FUNCTION	DESCRIPTION
OPERATING PLATFORM	CPU 1000 Mhz, 512 MB RAM, 6GB or more. Internal LAN 10/100 Mbps running Windows Professional 2000 service pack 4 or Windows Professional XP service pack 2 or Windows Vista or Windows 7
MAX No. OF SITES	1000
MAX No. OF INDOOR UNITS PER SITE	2000 Indoor units, 50 indoor units per AG150/GB50 (per site)
OPERATIONAL SECTIONS	The software package is split into two distinctive areas, System and Controls setting. System Setting: Password protected, System Configuration and group/block organisation, printer setting. Controls Setting: Normal Operation, monitoring and control functions as described below. The software allows individual indoor units to be allocated to logical groups, represented within user definable graphics screens, allocated during the system configuration
ON/OFF	Indicates the On/Off status of each group within the selected graphical screen or entire building
OPERATION MODE	Indicates the operational mode (Cool, Heat, Fan, Dry, Auto) for each group on the selected graphical screen
SET TEMPERATURE	Displays the set temperature for each group on the selected graphical screen. Also able to limit the set point range in both heating and cooling mode
AIR SPEED	Displays the current fan speed setting for each group on the selected graphical screen
REMOTE CONTROLLER PROHIBIT/PERMIT	Displays the current prohibit/permit status for each groups remote controller on the selected graphical screen
ABNORMALITY (FAULT) MONITORING	Individual indoor unit fault monitoring is recorded within the fault log for both viewing and printing. Fault monitoring can also be viewed via the fault log for all units associated with a particular graphical screen or the entire building. Faults can also be tracked and printed using date of failure, date of recovery and error code
ROOM TEMPERATURE MONITORING	Displays the return air temperature of the master indoor unit within a group
SCHEDULED ON/OFF	On/Off schedules can be set for each group, each graphical screen or the entire building
GRAPHICAL SCREENS	The complete system configurations can be allocated between multiple screens. Each screen can display a bitmap image representing the area of the building or floor where the units or groups are physically located
THIRD PARTY EQUIPMENT MONITORING	Monitor general equipment Run and Faults via the PAC-YG66DCA interface and Temperature and Humidity via the PAC-YG63MCA
THIRD PARTY EQUIPMENT CONTROL	Control general equipment On/Off via the PAC-YG66DCA
EMAIL	The following information may be sent regularly and automatically via email: energy monitoring data, energy saving data, trend logging data (temperatures etc) and fault code history

*NOTE 1: Applicable with AG150 / PAC-SC51 KUA or GB50

NOTE 2: The TG2000 WAN cannot be utilised if the following site functions are required: energy charging, energy saving and trend logging.

NOTE 3: Temperature and Humidity Sensors not supplied by MEUK