



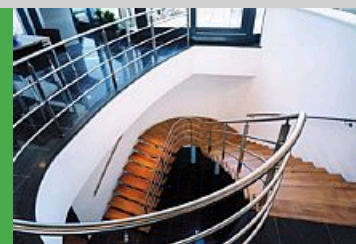
Celsius

air conditioning

LGH-50RSDC-E

Lossnay

Residential Model



Particularly suitable for modern homes with high insulation afforded by double glazing and cavity insulation, which require ventilation to remove stale air without major heat loss. This model is also suitable for a number of non-residential applications such as schools.

- **Effective fresh air ventilation and efficient recovery of heating/cooling energy**
- **New "Hyper Eco Core" facilitating improved humidity penetration**
- **Extremely quiet sound levels**
- **Low power consumption with 5 variable fan speeds**
- **By-pass mode for 'free cooling'. Including new Power Mode to supply a greater volume of fresh, cool air - for instance during summer nights**
- **SAP Appendix Q Approved**



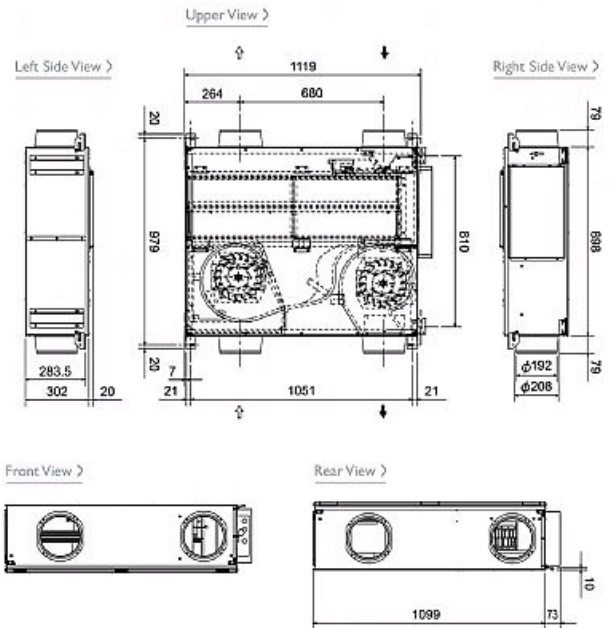
Pictures not to scale

Product Details

LGH-50RSDC-E	
Airflow (m3/h) - Lossnay Ventilation - Lo-Hi-ExHi	100-340-445
Noise (dBA) - Lossnay Ventilation - Lo-Hi-ExHi	18-26-31
Noise (dBA) - Bypass Ventilation - Lo-Hi-ExHi	18-26-31
Width - mm	1099+73
Depth - mm	898
Height - mm	302
Weight - kg	45
Electrical Supply	220-240v, 50Hz
Fuse Rating (BS88) - HRC (A)	6
Duct Size (mm)	200
Power Input (W) - Low	14
Power Input (W) - High	92
Power Input (W) - Extra high	172
Starting Current (A)	2
Mains Cable No. Cores	3
Temperature Exchange Efficiency (%) - Low	90
Temperature Exchange Efficiency (%) - High	80
Temperature Exchange Efficiency (%) - Extra High	75

Dimensions

LGH-50RSDC-E



Telephone: 01707 282880

Email: air.conditioning@meuk.mee.com Website: <http://www.mitsubishielectric.co.uk/aircon>

CELSIUS AIR CONDITIONING LTD

1, WELL STREET

HEYWOOD

OL10 1NT

Tel: 01706 367500

Fax: 01706 367355

Mitsubishi Electric reserves the right to make any variation in technical specification to the equipment described, or to withdraw or replace products without prior notification or public announcement.

