



Celsius
air conditioning



MFZ-KA50VA

Inverter Heat Pump

R410A Floor Mounted System

This series is extremely versatile and is designed for wall attached installation at floor level. The auto swing vane provides a more natural and comfortable airflow throughout the room and the lightweight, compact design makes installation Easy.



Pictures not to scale

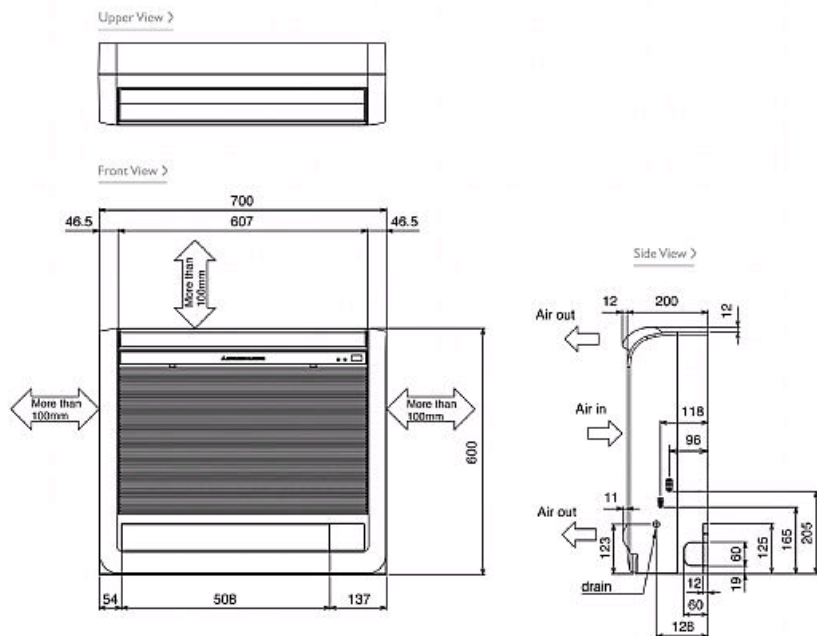
Product Details

MFZ-KA50VA Indoor Unit	
Capacity (kW):	
Heating (Nominal) (Low - High)	6.00 (0.90 - 7.90)
Cooling (Nominal) (Low - High)	4.80 (0.90 - 5.40)
Heating (UK) (Low - High)	5.00 (0.75 - 6.55)
Cooling (UK) (Low - High)	4.75 (0.90 - 5.35)
SHF R410A (Nominal)	0.63
COP / EER (Nominal)	3.23 / 3.1
Energy Label Heating / Cooling	C / B
Width - mm	700
Depth - mm	200
Height - mm	600
Weight - kg	14
Airflow (m3/min) (Heating /Cooling) - Lo-Mi1-Mi2-Hi	7.4-8.8-9.8-12.3 / 7.1-7.9-9.2-11.2
Noise (dBA) (Heating /Cooling) - Lo-Mi1-Mi2-Hi	32-35-39-44 / 32-35-39-43
Pipe Size Gas mm (in)	12.7 (1/2)
Pipe Size Liquid mm (in)	6.35 (1/4)
Electrical Supply	Fed by Outdoor Unit
Phase	Single
Fuse Rating (BS88) - HRC (A)	6
Interconnecting Cable No. Cores	4

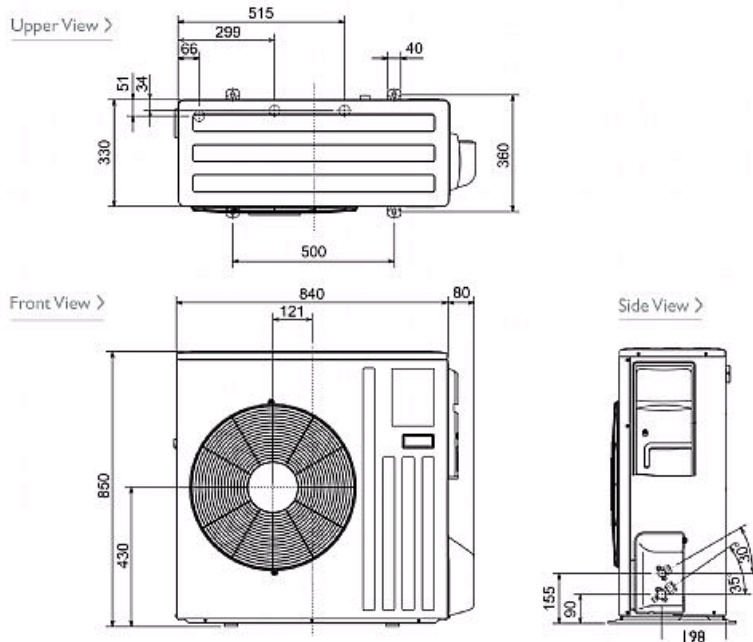
SUZ-KA50VA2 Outdoor Unit	
Width - mm	840
Depth - mm	330
Height - mm	850
Weight - kg	53
Noise (dBA) (Heating /Cooling)	55 / 53
Electrical Supply	220-240v, 50Hz
Phase	Single
Fuse Rating (BS88) - HRC (A)	20
SystemPower Input (kW) - Heating (Nominal)	1.86
SystemPower Input (kW) - Cooling (Nominal)	1.55
SystemPower Input (kW) - Heating (UK)	1.69
SystemPower Input (kW) - Cooling (UK)	1.24
Starting Current (A)	6.75
SystemRunning Current (A) - Heating / Cooling	6.55 / 6.95
Mains Cable No. Cores	3
Max Pipe Length (m)	30
Max Height Difference (m)	30
Charge (kg) - 7m	1.6

Dimensions

MFZ-KA50VA



SUZ-KA50VA2



Telephone: 01707 282880

Email: air.conditioning@meuk.mee.com Website: <http://www.mitsubishielectric.co.uk/aircon>

CELSIUS AIR CONDITIONING LTD

1, WELL STREET

HEYWOOD

OL10 1NT

Tel: 01706 367500

Fax: 01706 367355



Air Conditioning Systems

Mitsubishi Electric reserves the right to make any variation in technical specification to the equipment described, or to withdraw or replace products without prior notification or public announcement.