



Celsius

air conditioning

MXZ-2C52VA

Inverter Heat Pump

R410A Multi-Split Unit

This Multi-Split System allows up to 2 Mr Slim or M Series indoor units to be operated from a single outdoor unit. This makes it an economic answer in multi-room applications, whilst also offering space saving benefits.

- **Up to 2 indoor units of mixed capacities may be connected to a single outdoor unit**
- **Single outdoor unit for minimal noise and space impact**
- **Units may be added within the capacity of the system as requirements change**
- **Energy saving inverter controlled performance**



Pictures not to scale



Product Details

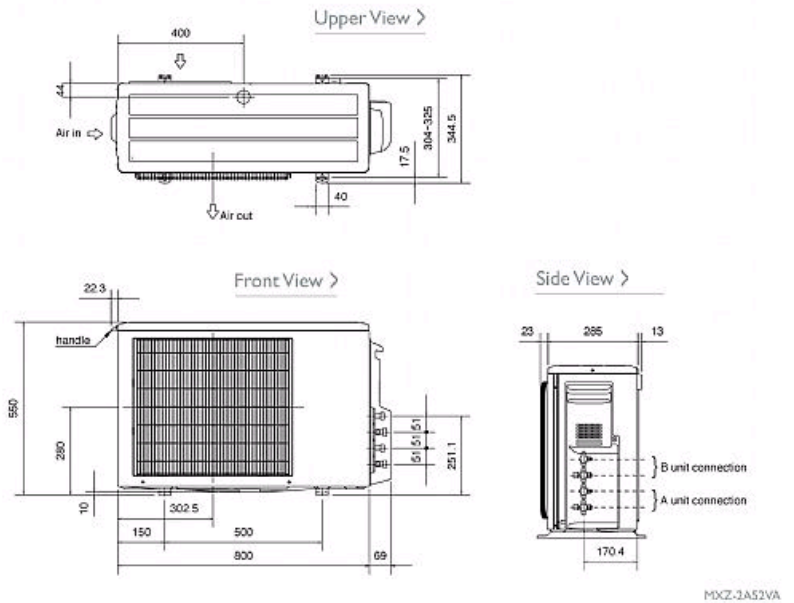
MXZ-2C52VA	
Capacity (kW):	
Heating (Nominal) (Low - High)	6.4 (1.0 - 7.0)
Cooling (Nominal) (Low - High)	5.2 (1.1 - 6.0)
Heating (UK) (Low - High)	5.3 (0.85 - 5.8)
Cooling (UK) (Low - High)	5.15 (1.1 - 5.95)
COP / EER (Nominal)	3.98 / 4
Energy Label Heating / Cooling	A / A
Width - mm	800
Depth - mm	285
Height - mm	550
Weight - kg	38
Airflow (m3/min) (Heating /Cooling)	33.3 /32.9
Noise (dBA) (Heating /Cooling) - Lo-Hi	49-50 /46-49
Electrical Supply	220-240v, 50Hz
Fuse Rating (BS88) - HRC (A)	16
Interconnecting Cable No. Cores	4
Power Input (kW) - Heating (Nominal)	1.61
Power Input (kW) - Cooling (Nominal)	1.3
Power Input (kW) - Heating (UK)	1.47
Power Input (kW) - Cooling (UK)	1.04
Starting Current (A)	7.22
Running Current (A) - Heating / Cooling	7.22 / 5.83
Charge R410A (kg) - 20m	1.3

Piping Restrictions

Total Pipe Length (m)	30
Max Pipe Length per Indoor Unit (m)	20
Indoor to Outdoor Height (m)	15

Dimensions

MXZ-2C52VA



MXZ-1A52VA



Telephone: 01707 282880

Email: air.conditioning@meuk.mee.com Website: <http://www.mitsubishielectric.co.uk/aircon>

CELSIUS AIR CONDITIONING LTD

1, WELL STREET

HEYWOOD

OL10 1NT

Tel: 01706 367500

Fax: 01706 367355

Mitsubishi Electric reserves the right to make any variation in technical specification to the equipment described, or to withdraw or replace products without prior notification or public announcement.

