



# Celsius

air conditioning



## MSZ-GE60VA

Inverter Heat Pump

R410A Wall Mounted System

This model has been completely redesigned and features the new Catechin filter system. It offers industry leading noise levels and also includes a wide swing & long airflow mode.

- **Anti-Allergy Enzyme filter is optional**



Pictures not to scale

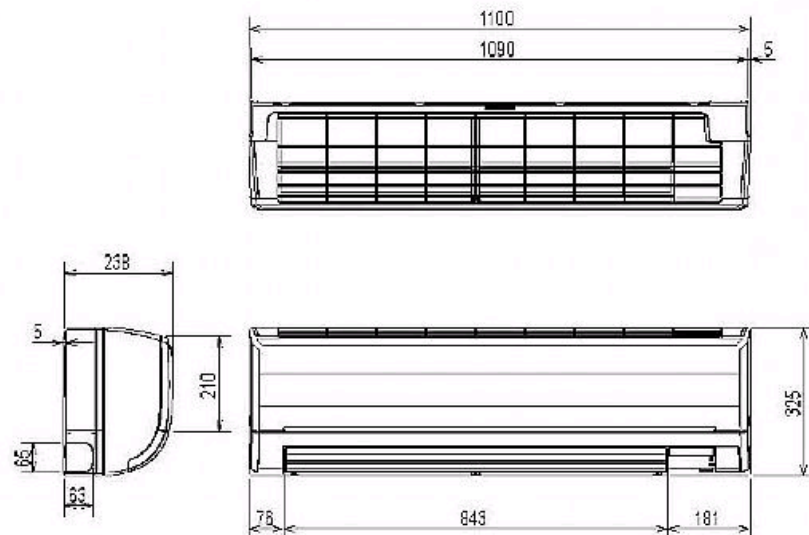
## Product Details

MSZ-GE60VA Indoor Unit	
Capacity (kW):	
Heating (Nominal) (Low - High)	6.80 (2.00 - 9.30)
Cooling (Nominal) (Low - High)	6.00 (1.50 - 7.50)
Heating (UK) (Low - High)	5.65 (1.65 - 7.75)
Cooling (UK) (Low - High)	5.95 (1.50 - 7.45)
SHF R410A (Nominal)	0.79
COP / EER (Nominal)	3.84 / 3.4
Energy Label Heating / Cooling	A / A
Width - mm	1100
Depth - mm	238
Height - mm	325
Weight - kg	16
Airflow (m <sup>3</sup> /min) (Heating /Cooling) - Lo-Mi1-Mi2-Hi-SupHi	11.3-13.4-15.6-18.3-20.7 / 11.3-13.4-15.6-18.3-20.7
Noise (dBA) (Heating /Cooling) - Lo-Mi1-Mi2-Hi-SupHi	37-41-45-49-52 / 37-41-45-49-52
Pipe Size Gas mm (in)	15.88 (5/8)
Pipe Size Liquid mm (in)	6.35 (1/4)
Electrical Supply	Fed by Outdoor Unit
Phase	Single
Fuse Rating (BS88) - HRC (A)	6
Interconnecting Cable No. Cores	4

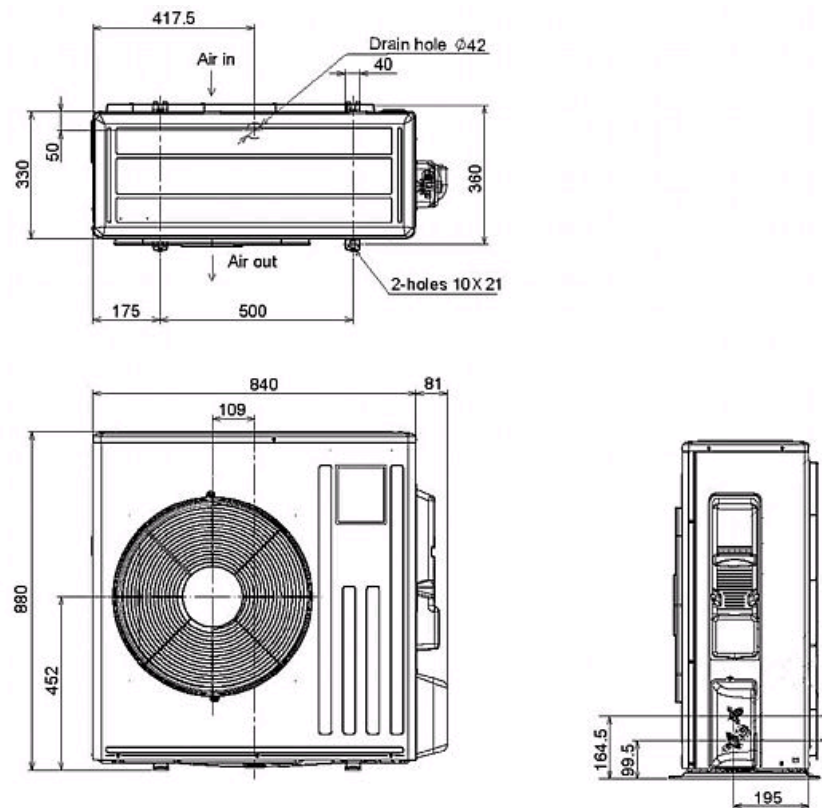
MUZ-GE60VA Outdoor Unit	
Width - mm	840
Depth - mm	330
Height - mm	880
Weight - kg	50
Noise (dBA) (Heating /Cooling)	55 / 55
Electrical Supply	220-240v, 50Hz
Phase	Single
Fuse Rating (BS88) - HRC (A)	16
SystemPower Input (kW) - Heating (Nominal)	1.77
SystemPower Input (kW) - Cooling (Nominal)	1.76
SystemPower Input (kW) - Heating (UK)	1.611
SystemPower Input (kW) - Cooling (UK)	1.408
Starting Current (A)	7.9
SystemRunning Current (A) - Heating / Cooling	7.9 / 7.8
Mains Cable No. Cores	3
Max Pipe Length (m)	30
Max Height Difference (m)	15
Charge (kg) - 10m	1.55

## Dimensions

### MSZ-GE60VA



### MUZ-GE60VA



Telephone: 01707 282880

Email: [air.conditioning@meuk.mee.com](mailto:air.conditioning@meuk.mee.com) Website: <http://www.mitsubishielectric.co.uk/aircon>

**CELSIUS AIR CONDITIONING LTD**  
**1, WELL STREET**  
**HEYWOOD**  
**OL10 1NT**  
**Tel: 01706 367500**  
**Fax: 01706 367355**



Mitsubishi Electric reserves the right to make any variation in technical specification to the equipment described, or to withdraw or replace products without prior notification or public announcement.