



Celsius

air conditioning



MSZ-GE71VA

Inverter Heat Pump

R410A Wall Mounted System

This model has been completely redesigned and features the new Catechin filter system. It offers industry leading noise levels and also includes a wide swing & long airflow mode.

- **Anti-Allergy Enzyme filter is optional**



Pictures not to scale

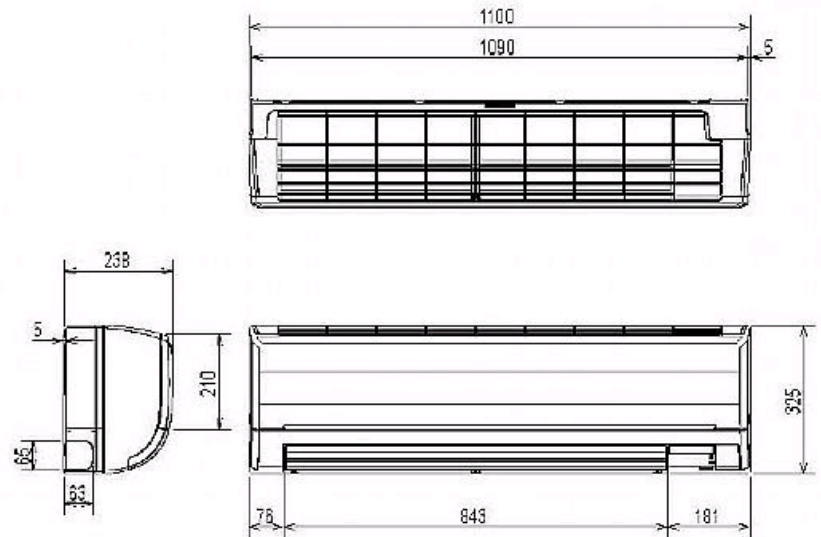
Product Details

MSZ-GE71VA Indoor Unit	
Capacity (kW):	
Heating (Nominal) (Low - High)	8.10 (2.20 - 9.90)
Cooling (Nominal) (Low - High)	7.10 (2.40 - 8.70)
Heating (UK) (Low - High)	6.75 (1.85 - 8.25)
Cooling (UK) (Low - High)	7.05 (2.40 - 8.65)
SHF R410A (Nominal)	0.78
COP / EER (Nominal)	3.83 / 3.33
Energy Label Heating / Cooling	A / A
Width - mm	1100
Depth - mm	238
Height - mm	325
Weight - kg	16
Airflow (m ³ /min) (Heating /Cooling) - Lo-Mi1-Mi2-Hi-SupHi	11.5-13.3-15.4-17.8-19.4 / 11.5-13.3-15.4-17.8-19.4
Noise (dBA) (Heating /Cooling) - Lo-Mi1-Mi2-Hi-SupHi	37-41-45-49-52 / 37-41-45-49-53
Pipe Size Gas mm (in)	15.88 (5/8)
Pipe Size Liquid mm (in)	9.52 (3/8)
Electrical Supply	Fed by Outdoor Unit
Phase	Single
Fuse Rating (BS88) - HRC (A)	6
Interconnecting Cable No. Cores	4

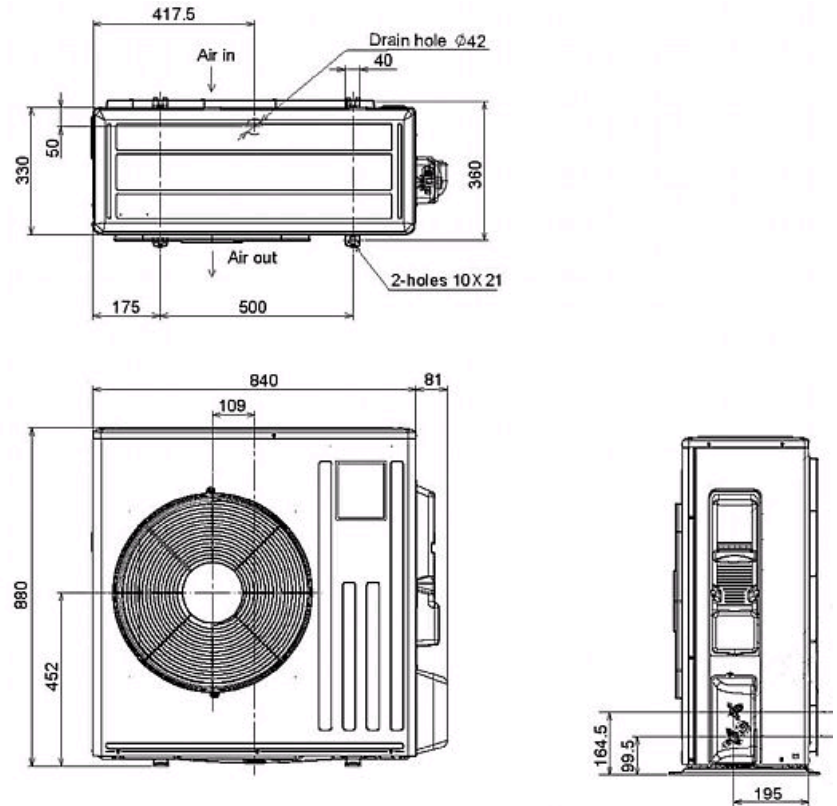
MUZ-GE71VA Outdoor Unit	
Width - mm	840
Depth - mm	330
Height - mm	880
Weight - kg	53
Noise (dBA) (Heating /Cooling)	55 / 55
Electrical Supply	220-240v, 50Hz
Phase	Single
Fuse Rating (BS88) - HRC (A)	20
SystemPower Input (kW) - Heating (Nominal)	2.11
SystemPower Input (kW) - Cooling (Nominal)	2.13
SystemPower Input (kW) - Heating (UK)	1.92
SystemPower Input (kW) - Cooling (UK)	1.704
Starting Current (A)	9.4
SystemRunning Current (A) - Heating / Cooling	9.4 / 9.3
Mains Cable No. Cores	3
Max Pipe Length (m)	30
Max Height Difference (m)	15
Charge (kg) - 10m	1.9

Dimensions

MSZ-GE71VA



MUZ-GE71VA



Telephone: 01707 282880

Email: air.conditioning@meuk.mee.com Website: <http://www.mitsubishielectric.co.uk/aircon>

CELSIUS AIR CONDITIONING LTD

1, WELL STREET

HEYWOOD

OL10 1NT

Tel: 01706 367500

Fax: 01706 367355



Mitsubishi Electric reserves the right to make any variation in technical specification to the equipment described, or to withdraw or replace products without prior notification or public announcement.