



# Celsius

air conditioning



## PLA-RP71BA

Standard Inverter Heat Pump

R410A 4-Way Blow Ceiling Cassette System

The new Standard Inverter range provides inverter solutions for customers who want all the benefits that inverters offer, but do not have the budget available for the more expensive Power Inverter range.

- **Airflow controllable for ceiling heights up to 4.2m, with automatic adjustment of fan speed**
- **Reduced draft air distribution, with independent vane control**
- **Filter lowering operation down to 4m (optional PLP-6BAJ grille required)**
- **Optional 'I See Sensor' for energy saving and smooth temperature control throughout the room**



Pictures not to scale

## Product Details

### PLA-RP71BA Indoor Unit

Capacity (kW):	
Heating (Nominal) (Low - High)	8.00 (0.90 - 10.20)
Cooling (Nominal) (Low - High)	7.10 (0.90 - 8.10)
Heating (UK) (Low - High)	6.65 (0.75 - 8.50)
Cooling (UK) (Low - High)	7.05 (0.90 - 8.05)
SHF R410A (Nominal)	0.73
COP / EER (Nominal)	3.65 / 3.43
Energy Label Heating / Cooling	A / A
Width (grille) - mm	840 (950)
Depth (grille) - mm	840 (950)
Height (grille) - mm	258 (35)
Weight (grille) - kg	23 (6)
Airflow (m3/min) - Lo-Mi1-Mi2-Hi	14-16-18-21
Noise (dBA) - Lo-Mi1-Mi2-Hi	28-30-32-34
Pipe Size Gas mm (in)	15.88 (5/8)
Pipe Size Liquid mm (in)	9.52 (3/8)
Electrical Supply	Fed By Outdoor Unit
Phase	Single
Fuse Rating (BS88) - HRC (A)	6
Interconnecting Cable No. Cores	4
Grille Ref	PLP-6BA GRILLE

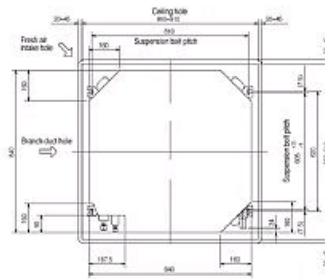
### SUZ-KA71VA2 Outdoor Unit

Width - mm	840
Depth - mm	330
Height - mm	880
Weight - kg	53
Noise (dBA) (Heating /Cooling)	55 /55
Electrical Supply	220-240v, 50Hz
Phase	Single
Fuse Rating (BS88) - HRC (A)	20
SystemPower Input (kW) - Heating (Nominal)	2.19
SystemPower Input (kW) - Cooling (Nominal)	2.07
SystemPower Input (kW) - Heating (UK)	1.99
SystemPower Input (kW) - Cooling (UK)	1.66
Starting Current (A)	8.89
SystemRunning Current (A) - Heating / Cooling	9.46 / 9.36
Mains Cable No. Cores	3
Max Pipe Length (m)	30
Max Height Difference (m)	30
Charge (kg) - 7m	1.8

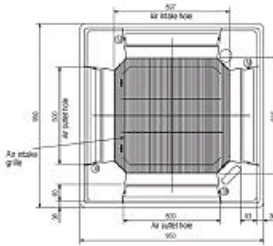
## Dimensions

### PLA-RP71BA

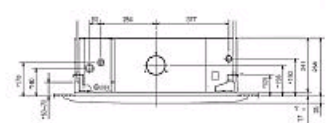
#### Upper View >



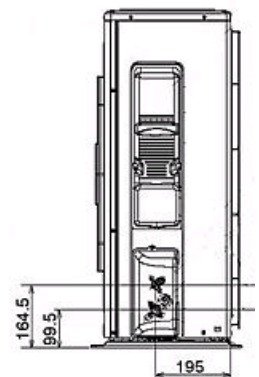
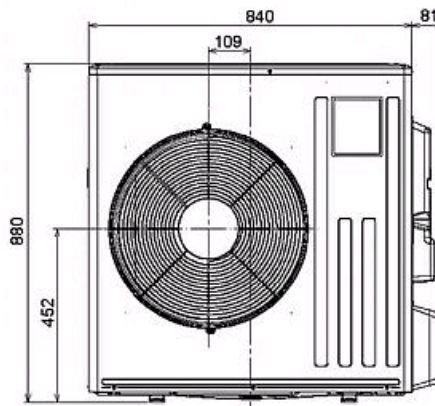
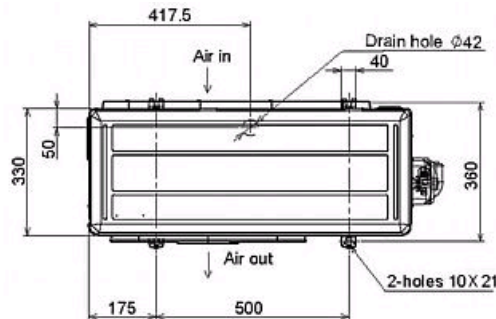
#### Front View >



#### Side View >



### SUZ-KA71VA2



Telephone: 01707 282880

Email: [air.conditioning@meuk.mee.com](mailto:air.conditioning@meuk.mee.com) Website: <http://www.mitsubishielectric.co.uk/aircon>

CELSIUS AIR CONDITIONING LTD  
1, WELL STREET  
HEYWOOD  
OL10 1NT  
Tel: 01706 367500  
Fax: 01706 367355

Mitsubishi Electric reserves the right to make any variation in technical specification to the equipment described, or to withdraw or replace products without prior notification or public announcement.

