



# Celsius

air conditioning



## SEZ-KD25VA

Inverter Heat Pump

R410A Ceiling Concealed Ducted System

Designed for homes, offices, restaurants or shops, the SEZ series operates at low noise levels and is virtually invisible when installed within a suspended ceiling. Its low unit height and lightweight design also helps to make installation easier and more convenient.



Pictures not to scale

## Product Details

### SEZ-KD25VA Indoor Unit

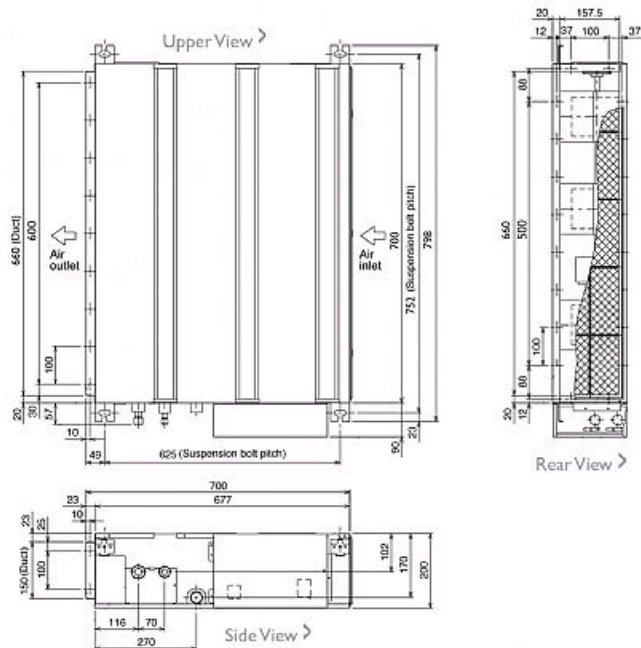
Capacity (kW):	
Heating (Nominal) (Low - High)	3.00 (0.90 - 4.50)
Cooling (Nominal) (Low - High)	2.50 (0.90 - 3.20)
Heating (UK) (Low - High)	2.50 (0.75 - 3.75)
Cooling (UK) (Low - High)	2.50 (0.90 - 3.15)
SHF R410A (Nominal)	0.8
COP / EER (Nominal)	3.61 / 3.33
Energy Label Heating / Cooling	A / A
Width - mm	790
Depth - mm	700
Height - mm	200
Weight - kg	18
Airflow (m <sup>3</sup> /min) - Lo-Mi-Hi	6-7-9
External Static Pressure Pa - Lo-Mid-Hi	5-15-50
Noise (dBA) - Lo-Mi-Hi	23-26-30
Pipe Size Gas mm (in)	9.52 (3/8)
Pipe Size Liquid mm (in)	6.35 (1/4)
Electrical Supply	Fed by Outdoor Unit
Phase	Single
Fuse Rating (BS88) - HRC (A)	6
Interconnecting Cable No. Cores	4

### SUZ-KA25VA2 Outdoor Unit

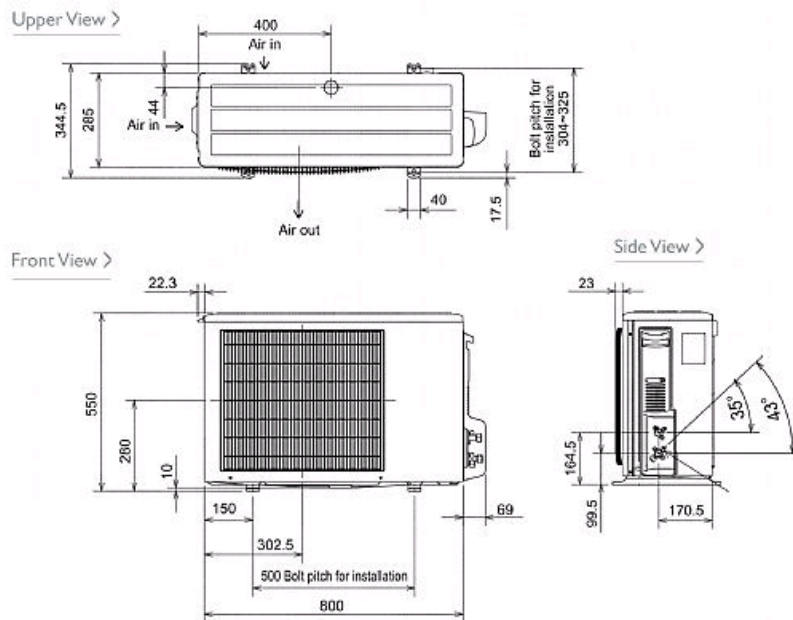
Width - mm	800
Depth - mm	285
Height - mm	550
Weight - kg	33
Noise (dBA) (Heating /Cooling)	46 /46
Electrical Supply	220-240v, 50Hz
Phase	Single
Fuse Rating (BS88) - HRC (A)	10
SystemPower Input (kW) - Heating (Nominal)	0.83
SystemPower Input (kW) - Cooling (Nominal)	0.75
SystemPower Input (kW) - Heating (UK)	0.76
SystemPower Input (kW) - Cooling (UK)	0.6
Starting Current (A)	3.65
SystemRunning Current (A) - Heating / Cooling	4.05 / 3.45
Mains Cable No. Cores	3
Max Pipe Length (m)	20
Max Height Difference (m)	12
Charge (kg) - 7m	0.8

## Dimensions

### SEZ-KD25VA



### SUZ-KA25VA2



Telephone: 01707 282880

Email: [air.conditioning@meuk.mee.com](mailto:air.conditioning@meuk.mee.com) Website: <http://www.mitsubishielectric.co.uk/aircon>

CELSIUS AIR CONDITIONING LTD

1, WELL STREET

HEYWOOD

OL10 1NT

Tel: 01706 367500

Fax: 01706 367355

Mitsubishi Electric reserves the right to make any variation in technical specification to the equipment described, or to withdraw or replace products without prior notification or public announcement.

