



Celsius

air conditioning



PCA-RP60KA

Standard Inverter Heat Pump
R410A Ceiling Suspended System

The new Standard Inverter range provides inverter solutions for customers who want all the benefits that inverters offer, but do not have the budget available for the more expensive Power Inverter range.

- **Indoor unit designed for direct ceiling suspension**
- **Flush to wall installation for concealment of service connections**



Pictures not to scale

Product Details

PCA-RP60KA Indoor Unit

Capacity (kW):	
Heating (Nominal) (Low - High)	6.90 (0.90 - 8.00)
Cooling (Nominal) (Low - High)	5.70 (1.10 - 6.30)
Heating (UK) (Low - High)	5.75 (0.75 - 6.65)
Cooling (UK) (Low - High)	5.65 (1.10 - 6.25)
SHF R410A (Nominal)	0.81
COP / EER (Nominal)	3.42 / 3.22
Energy Label Heating / Cooling	B / A
Width - mm	1280
Depth - mm	680
Height - mm	230
Weight - kg	32
Airflow (m ³ /min) - Lo-Mi1-Mi2-Hi	15-16-17-19
Noise (dBA) - Lo-Mi1-Mi2-Hi	33-35-37-40
Pipe Size Gas mm (in)	15.88 (5/8)
Pipe Size Liquid mm (in)	6.35 (1/4)
Electrical Supply	Fed by Outdoor Unit
Phase	Single
Fuse Rating (BS88) - HRC (A)	6
Interconnecting Cable No. Cores	4

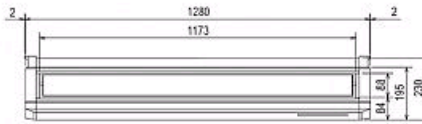
SUZ-KA60VA2 Outdoor Unit

Width - mm	840
Depth - mm	330
Height - mm	850
Weight - kg	53
Noise (dBA) (Heating /Cooling)	55 /53
Electrical Supply	220-240v, 50Hz
Phase	Single
Fuse Rating (BS88) - HRC (A)	20
SystemPower Input (kW) - Heating (Nominal)	2.02
SystemPower Input (kW) - Cooling (Nominal)	1.77
SystemPower Input (kW) - Heating (UK)	1.84
SystemPower Input (kW) - Cooling (UK)	1.42
Starting Current (A)	9.75
SystemRunning Current (A) - Heating / Cooling	10.14 / 8.74
Mains Cable No. Cores	3
Max Pipe Length (m)	30
Max Height Difference (m)	30
Charge (kg) - 7m	1.8

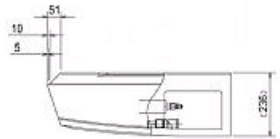
Dimensions

PCA-RP60KA

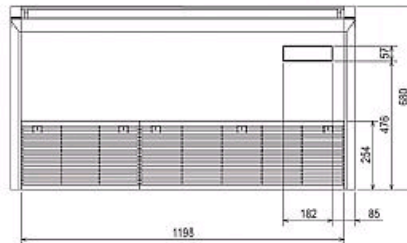
Front View >



Side View >

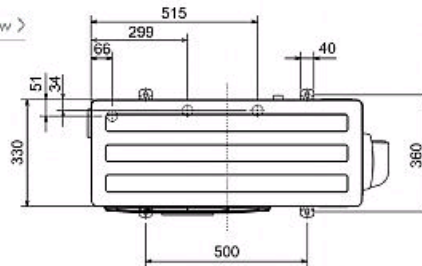


Lower View >

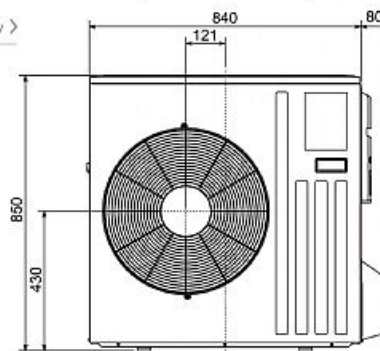


SUZ-KA60VA2

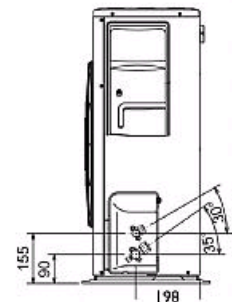
Upper View >



Front View >



Side View >



Telephone: 01707 282880

Email: air.conditioning@meuk.mee.com Website: <http://www.mitsubishielectric.co.uk/aircon>

CELSIUS AIR CONDITIONING LTD

1, WELL STREET

HEYWOOD

OL10 1NT

Tel: 01706 367500

Fax: 01706 367355



Mitsubishi Electric reserves the right to make any variation in technical specification to the equipment described, or to withdraw or replace products without prior notification or public announcement.