



Celsius

air conditioning



PSA-RP100GA

Standard Inverter Heat Pump

R410A Floor Standing System

The PSA Floor Standing System complements the Mitsubishi Electric range of indoor units. The sleek, modern design of this unit is ideal for numerous applications including bars and restaurants.

- **Built in controller**



Pictures not to scale

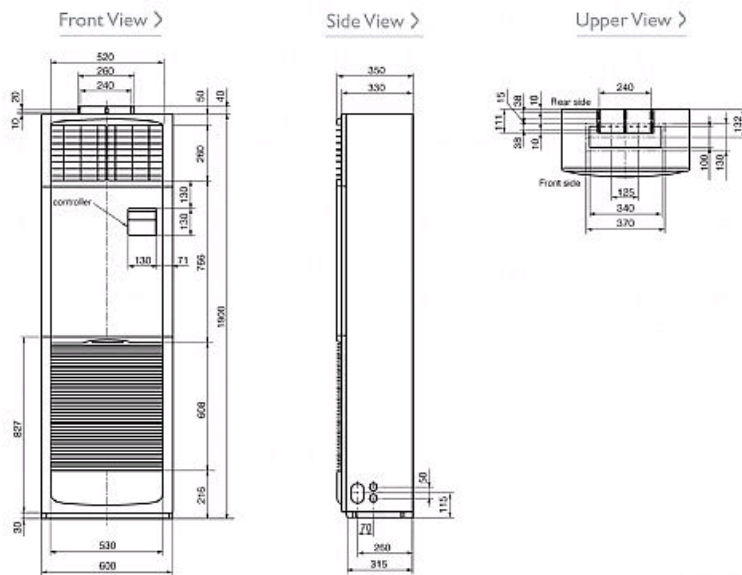
Product Details

PSA-RP100GA Indoor Unit	
Capacity (kW):	
Heating (Nominal) (Low - High)	11.20 (4.50 - 12.50)
Cooling (Nominal) (Low - High)	9.40 (4.90 - 11.20)
Heating (UK) (Low - High)	9.50 (3.85 - 10.65)
Cooling (UK) (Low - High)	8.65 (4.50 - 10.30)
SHF R410A (Nominal)	0.83
COP / EER (Nominal)	3.41 / 3.01
Energy Label Heating / Cooling	B / B
Width - mm	600
Depth - mm	350
Height - mm	1900
Weight - kg	51
Airflow (m3/min) - Lo-Hi	24-31
Noise (dBA) - Lo-Hi	44-49
Pipe Size Gas mm (in)	15.88 (5/8)
Pipe Size Liquid mm (in)	9.52 (3/8)
Electrical Supply	Fed by Outdoor Unit
Phase	Single
Fuse Rating (BS88) - HRC (A)	6
Interconnecting Cable No. Cores	4

PUHZ-P100YHA Outdoor Unit	
Width - mm	950
Depth - mm	330+30
Height - mm	943
Weight - kg	77
Noise (dBA) (Heating /Cooling)	54 /47-50
Electrical Supply	380-415v, 50Hz
Phase	3
Fuse Rating (BS88) - HRC (A)	16
SystemPower Input (kW) - Heating (Nominal)	3.28
SystemPower Input (kW) - Cooling (Nominal)	3.12
SystemPower Input (kW) - Heating (UK)	2.92
SystemPower Input (kW) - Cooling (UK)	2.65
Starting Current (A)	3
SystemRunning Current (A) - Heating / Cooling	5.23 / 4.97
Mains Cable No. Cores	5
Max Pipe Length (m)	50
Max Height Difference (m)	30
Charge (kg) - 20m	3

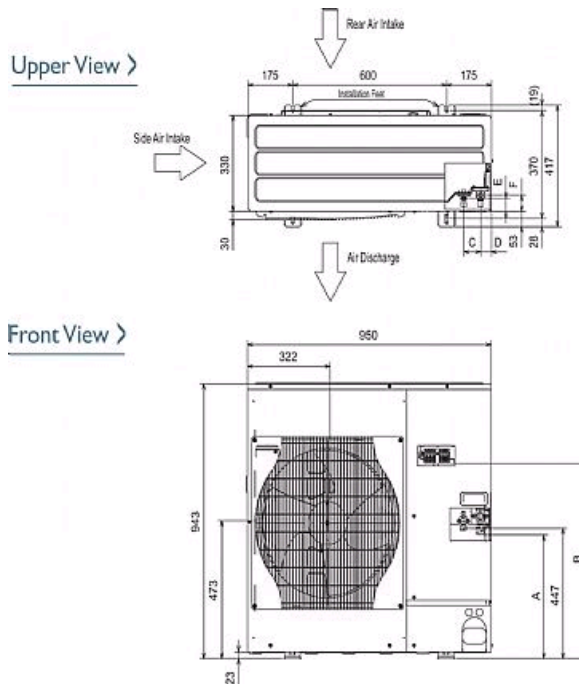
Dimensions

PSA-RP100GA



PSA-RP125GA

PUHZ-P100YHA



Telephone: 01707 282880

Email: air.conditioning@meuk.mee.com Website: <http://www.mitsubishielectric.co.uk/aircon>

CELSIUS AIR CONDITIONING LTD
1, WELL STREET
HEYWOOD
OL10 1NT
Tel: 01706 367500
Fax: 01706 367355



Mitsubishi Electric reserves the right to make any variation in technical specification to the equipment described, or to withdraw or replace products without prior notification or public announcement.