

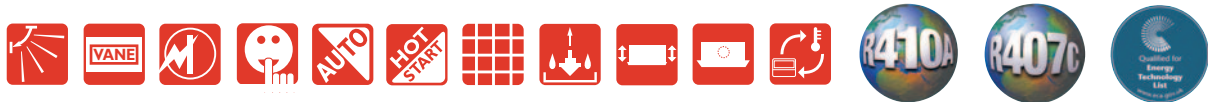
# PMFY-P-VBM-E

New Models

## I-Way Blow Ceiling Cassette Indoor Unit

Utilising a compact and lightweight body, the unit is perfect for applications where ceiling space is limited. A total body weight of 14kg makes it one of the lightest available, latest fan technology also makes it one of the quietest.

- > Compact size for handy installation and easy maintenance
- > Newly developed airflow control technology reduces noise levels to only 27dBA
- > Drain lift pump mechanism allows the drain to be positioned anywhere up to 600mm from the ceiling's surface
- > Only 230mm high
- > Fresh air duct facility

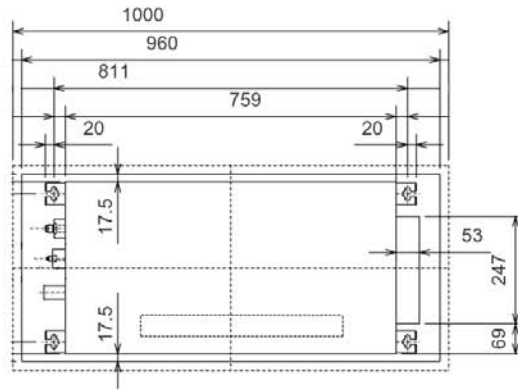


Technical Information >>

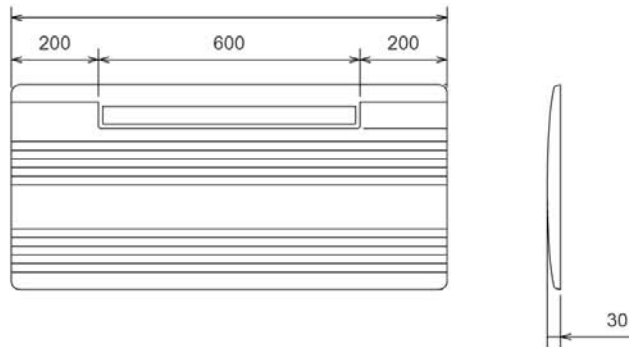
PMFY-P-VBM-E - INDOOR UNIT		PMFY-P20VBM-E	PMFY-P25VBM-E	PMFY-P32VBM-E	PMFY-P40VBM-E
CAPACITY (kW)	Heating (nominal)	2.5	3.2	4.0	5.0
	Cooling (nominal)	2.2	2.8	3.6	4.5
R410A / R407c	Heating (UK)	2.3	3.0	3.7	4.6
	Cooling (UK)	2.1	2.6	3.4	4.3
R407c	Cooling (UK)	2.1	2.7	3.4	4.3
R410A High Sensible	Cooling (UK)	1.5	1.9	2.4	3.0
SHF	R410A (UK)	0.81	0.77	0.71	0.70
	R407c (UK)	0.86	0.81	0.76	0.72
High Sensible	R410A (UK)	0.93	0.89	0.79	0.77
POWER INPUT (kW)	Heating (nominal)	0.042	0.044	0.044	0.054
	Cooling (nominal)	0.042	0.044	0.044	0.054
AIRFLOW (m3/min)	Lo-Mid-Mid2-Hi	6.5-7.2-8.0-8.7	7.3-8.0-8.6-9.3	7.3-8.0-8.6-9.3	7.7-8.7-9.7-10.7
NOISE (dBA)	Lo-Mid-Mid2-Hi	27-30-33-35	32-34-36-37	32-34-36-37	33-35-37-39
WEIGHT (kg)	(Grille)	14(3)	14(3)	14(3)	14(3)
DIMENSIONS (mm)	Width (Grille)	812(1000)	812(1000)	812(1000)	812(1000)
	Depth (Grille)	395(470)	395(470)	395(470)	395(470)
	Height (Grille)	230(30)	230(30)	230(30)	230(30)
ELECTRICAL SUPPLY		220-240v, 50Hz	220-240v, 50Hz	220-240v, 50Hz	220-240v, 50Hz
PHASE		Single	Single	Single	Single
RUNNING CURRENT (A)	Heating	0.20	0.21	0.21	0.26
	Cooling	0.20	0.21	0.21	0.26
FUSE RATING (BS88) – HRC (A)		6	6	6	6
MAINS CABLE No. Cores		3	3	3	3
GRILLE MODEL REFERENCE		PMP-40BM	PMP-40BM	PMP-40BM	PMP-40BM

# PMFY-P20, 25, 32, 40VBM-E

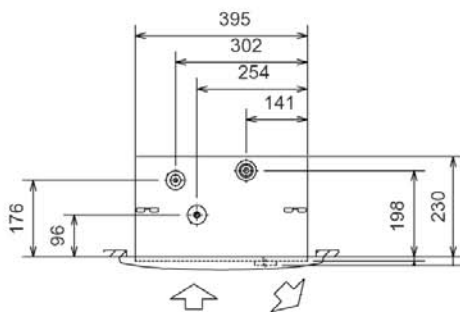
Upper View >



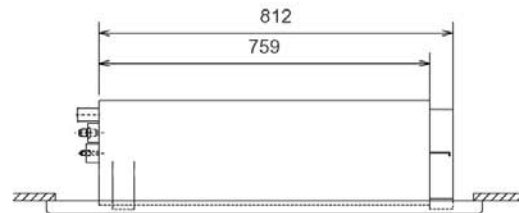
Lower View >



Side View >



Front View >



**This pdf has been downloaded from the website of :**

“Supplying and installing the latest in air conditioning technology”

**° Celsius**  
**air conditioning**

Celsius Air Conditioning Ltd, 1 Well Street, Heywood, Greater Manchester OL10 1NT

 01706 367 500  07000 CELSIUS  01706 367 355  sales@celsiusair.co.uk  www.celsiusair.co.uk

**www.celsiusair.co.uk**