

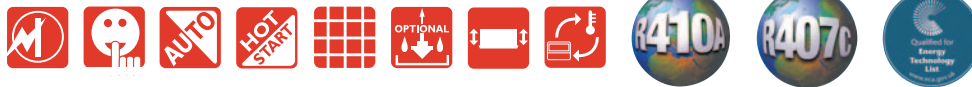
PEFY-P-VML-E

New Models

Low Height Ceiling Concealed Ducted Indoor Unit

The low height ceiling concealed ducted indoor unit is particularly suitable for buildings where space in the ceiling void would not be sufficient for a standard unit, such as refurbishments to 1960's buildings.

- > Extremely quiet operation due to new centrifugal fan
- > Low height of only 225mm
- > Condensate connection from left or right
- > Ideal for application in hotels and apartments with simplified hotel controller, PAC-SE51CRA
- > Cooling operation set temperature can be set down to 14°C db when used with R410A

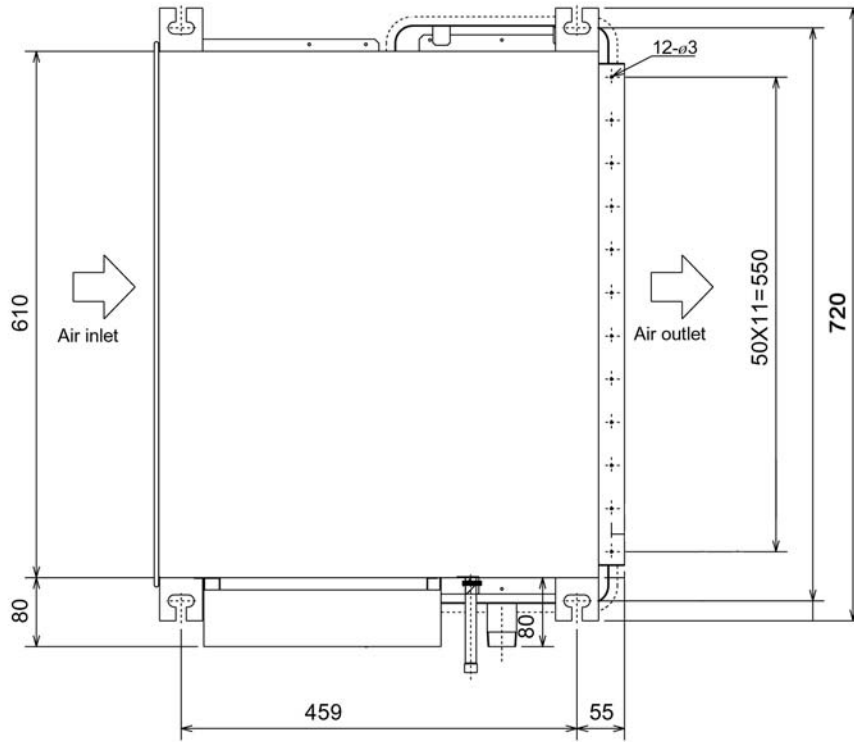


[Technical Information >>](#)

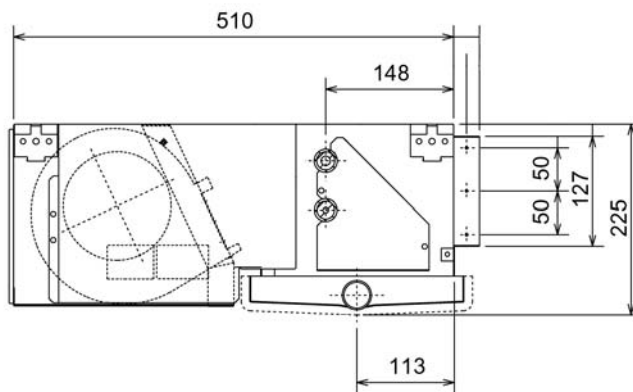
PEFY-P-VML-E - INDOOR UNIT		PEFY-P20VML-E	PEFY-P25VML-E	PEFY-P32VML-E
CAPACITY (kW)	Heating (nominal)	2.5	3.2	4.0
	Cooling (nominal)	2.2	2.8	3.6
R410A / R407c	Heating (UK)	2.3	3.0	3.7
	Cooling (UK)	2.1	2.6	3.4
R407c	Cooling (UK)	2.1	2.7	3.4
R410A High Sensible	Cooling (UK)	1.5	1.9	2.4
SHF	R410A (UK)	0.86	0.81	0.76
	R407c (UK)	0.86	0.78	0.76
High Sensible	R410A (UK)	1.00	0.95	0.92
POWER INPUT (kW)	Heating (nominal)	0.05	0.05	0.07
	Cooling (nominal)	0.05	0.05	0.07
AIRFLOW (m3/min)	Lo-Mi-Hi	4.8-5.8-7.9	4.8-5.8-7.9	4.8-5.8-9.5
EXTERNAL STATIC PRESSURE (Pa)		5	5	5
NOISE (dBA)	Lo-Mi-Hi	25-29-36	25-29-36	25-29-40
WEIGHT (kg)		18	18	18
DIMENSIONS (mm)	Width	720	720	720
	Depth	550	550	550
	Height	225	225	225
ELECTRICAL SUPPLY		220-240v, 50Hz	220-240v, 50Hz	220-240v, 50Hz
PHASE		Single	Single	Single
RUNNING CURRENT (A)	Heating	0.24	0.24	0.32
	Cooling	0.24	0.24	0.32
FUSE RATING (BS88) – HRC (A)		6	6	6
MAINS CABLE No. Cores		3	3	3

PEFY-P20,25,32VML-E

Upper View >



Side View >



This pdf has been downloaded from the website of :

“Supplying and installing the latest in air conditioning technology”

° Celsius
air conditioning

Celsius Air Conditioning Ltd, 1 Well Street, Heywood, Greater Manchester OL10 1NT

 01706 367 500  07000 CELSIUS  01706 367 355  sales@celsiusair.co.uk  www.celsiusair.co.uk

www.celsiusair.co.uk