

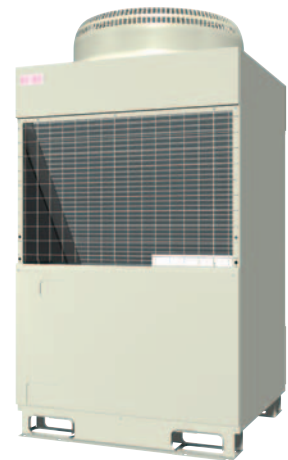
# Y Series (8-14hp)

New Series

## R410A Heat Pump or Cooling Only Outdoor Unit

### Improved for even higher efficiency

The City MultiY series makes use of a two pipe refrigerant circuit throughout, with the choice of either Branch Pipe or Header Pipe feeds to indoor units, with manual changeover from cooling to heating to ensure that a constant indoor climate is maintained. Available in 4 versions for either heating and cooling, or 2 for cooling only, the system accommodates up to 20 indoor units for each outdoor unit.



- > Highest ever COP's / EER's due to new higher efficiency inverter technology
- > Choice of Branch Pipe or Header Pipe feeds to indoor units
- > Energy-saving inverter driven outdoor compressor units with very low start currents
- > No requirement for plant rooms or bulky service shafts
- > 4 capacities from 8hp to 14hp, using a single inverter compressor
- > Improved pipe run of 150m, with a total system pipe length of 300m
- > High Sensible Cooling Function - By raising the off coil temperature, a 10% increase in sensible cooling capacity over standard operation is achievable, the result being greater comfort for occupants



Technical Information >>

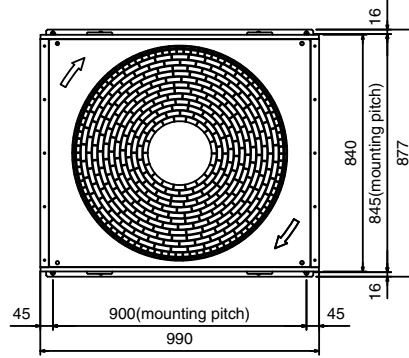
#### Y SERIES OUTDOOR UNIT - 8-14hp

| MODEL REFERENCE                     |                   | PUHY-P200YGM-A | PU(H)Y-P250YGM-A | PUHY-P300YGM-A | PU(H)Y-P350YGM-A |
|-------------------------------------|-------------------|----------------|------------------|----------------|------------------|
| CAPACITY (kW)                       | Heating (nominal) | 25.0           | 31.5             | 37.5           | 45.0             |
|                                     | Cooling (nominal) | 22.4           | 28.0             | 33.5           | 40.0             |
|                                     | Heating (UK)      | 23.1           | 29.1             | 33.0           | 39.6             |
|                                     | Cooling (UK)      | 21.3           | 26.6             | 31.5           | 37.6             |
| POWER INPUT (kW)                    | Heating (nominal) | 5.98           | 7.62             | 9.10           | 11.02            |
|                                     | Cooling (nominal) | 6.14           | 7.72             | 9.57           | 11.39            |
|                                     | Heating (UK)      | 5.98           | 7.62             | 8.83           | 10.69            |
|                                     | Cooling (UK)      | 3.81           | 4.79             | 6.99           | 8.31             |
| MAX No. OF CONNECTABLE INDOOR UNITS |                   | 13             | 16               | 19             | 20               |
| AIRFLOW (m3/min)                    | High              | 200            | 200              | 200            | 200              |
| NOISE (dBA)                         |                   | 56             | 57               | 59             | 60               |
| WEIGHT (kg)                         |                   | 218            | 233              | 233            | 233              |
| DIMENSIONS (mm)                     | Width             | 990            | 990              | 990            | 990              |
|                                     | Depth             | 840 (877)      | 840 (877)        | 840 (877)      | 840 (877)        |
|                                     | Height            | 1840           | 1840             | 1840           | 1840             |
| ELECTRICAL SUPPLY                   |                   | 380-415v, 50Hz | 380-415v, 50Hz   | 380-415v, 50Hz | 380-415v, 50Hz   |
| PHASE                               |                   | 3              | 3                | 3              | 3                |
| STARTING CURRENT (A)                |                   | 10             | 8                | 8              | 8                |
| RUNNING CURRENT (A)                 | Heating           | 9.2            | 11.7             | 14.0           | 17.0             |
|                                     | Cooling           | 9.4            | 11.9             | 14.7           | 17.6             |
| FUSE RATING (BS88) – HRC (A)        |                   | 20             | 25               | 25             | 32               |
| MAINS CABLE No. Cores               |                   | 4 + earth      | 4 + earth        | 4 + earth      | 4 + earth        |

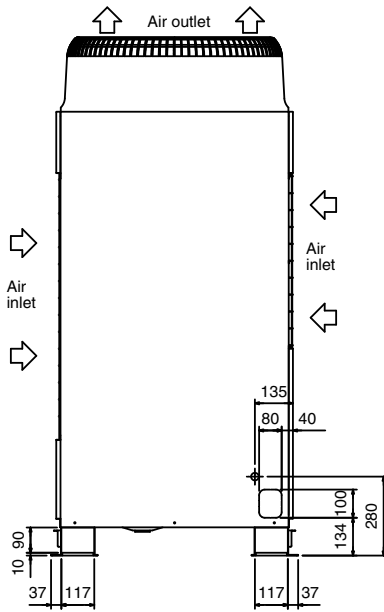
| PU(H)Y-P200/250/300/350YGM-A Piping Restrictions |                                              |
|--------------------------------------------------|----------------------------------------------|
| TOTAL PIPING LENGTH                              | 300m max                                     |
| FURTHEST PIPING LENGTH                           | 150m max                                     |
| FURTHEST PIPING LENGTH AFTER 1st BRANCH          | 40m max                                      |
| BETWEEN INDOOR AND OUTDOOR UNITS - HEIGHT        | 50m max (40m max if outdoor installed below) |
| BETWEEN INDOOR AND INDOOR UNITS - HEIGHT         | 15m max                                      |

**PU(H)Y-P200, 250, 300, 350YGM-A**

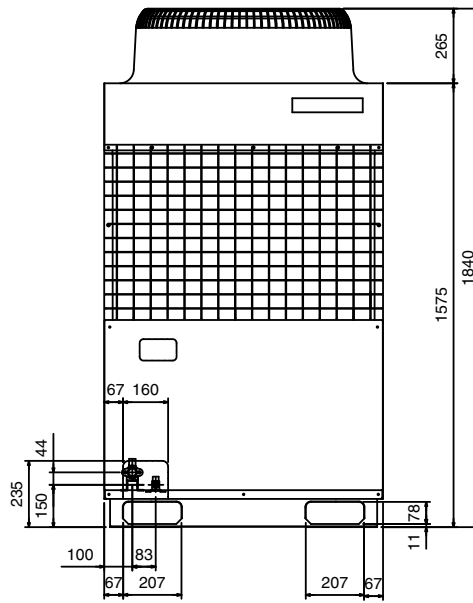
Upper View >



Right Side View >



Front View >



**This pdf has been downloaded from the website of :**

“Supplying and installing the latest in air conditioning technology”

**° Celsius**  
**air conditioning**

Celsius Air Conditioning Ltd, 1 Well Street, Heywood, Greater Manchester OL10 1NT

 01706 367 500  07000 CELSIUS  01706 367 355  sales@celsiusair.co.uk  www.celsiusair.co.uk

**www.celsiusair.co.uk**