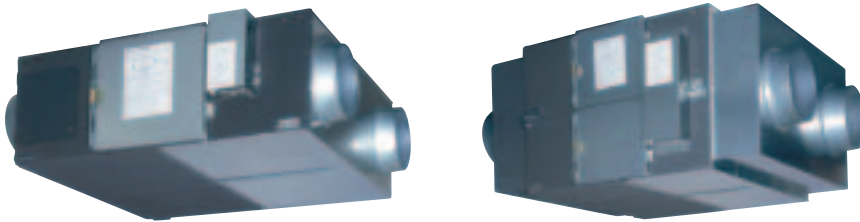
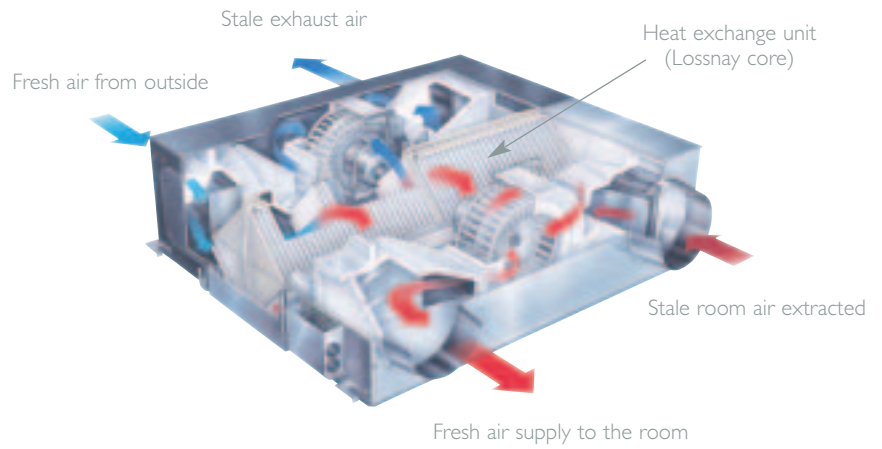


LGH RX3

Commercial Series

This commercially orientated system can be utilised virtually anywhere.

- > Effective fresh air ventilation
- > High heat recovery
- > Free cooling function
- > Good sound attenuation



Technical Information >>

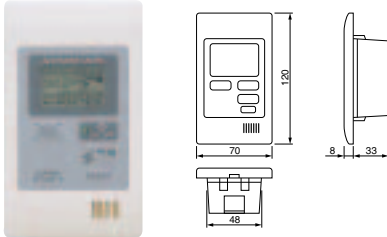
LOSSNAY		COMMERCIAL LGH-15RX3	COMMERCIAL LGH-25RX3	COMMERCIAL LGH-35RX3	COMMERCIAL LGH-50RX3	COMMERCIAL LGH-80RX3	COMMERCIAL LGH-100RX3	COMMERCIAL LGH-150RX3	COMMERCIAL LGH-200RX3
ELECTRICAL POWER SUPPLY		220 - 240V, 50Hz	220 - 240V, 50Hz	220 - 240V, 50Hz	220 - 240V, 50Hz	220 - 240V, 50Hz	220 - 240V, 50Hz	220 - 240V, 50Hz	220 - 240V, 50Hz
STARTING CURRENT (A)		0.8	0.8	1.6	1.9	3.8	5.7	6.8	13
RUNNING CURRENT (A)	Low	0.25	0.27	0.48	0.60	1.4	2.2	2.8	4.1
	High	0.35	0.44	0.71	0.90	1.7	2.3	3.1	4.6
	Extra High	0.52	0.55	0.82	0.96	1.8	2.3	3.3	4.6
INPUT POWER (W)	Extra High	123	130	187	225	418	525	785	1020
	AIRFLOW (m³/h)	Low	120	165	230	350	670	870	1200
	High / Extra High	150	250	350	500	800	1000	1500	2000
NOISE (dBA)									
Lossnay Ventilation	Lo-Hi-ExHi	22-25-27	22-26-27.5	24-30-32	24.5-31-33.5	31-33-34.5	32.5-35-37	33.5-36-37.5	36.5-38-40
Bypass Ventilation	Lo-Hi-ExHi	22-25-27	22-26.5-28	24-30-32.5	24.5-31.5-34.5	31.5-34-35.5	34-36-38	33.5-36.5-37.5	37-38.5-40.5
TEMPERATURE EXCHANGE EFFICIENCY (%)	Low	80	83	84	82	81	81	81	83
	High / Extra High	77	78	79	77	78	79	79	79
WEIGHT (kg)		17	21	30	33	61	72	154	179
DIMENSIONS (mm)	Width	610	735	874	1016	1004	1231	1004	1231
	Depth	780	780	888	888	1164	1164	1662	1662
	Height	275	275	317	317	398	398	800	800
DUCT SIZE (mm)		100	150	150	200	250	250	350	350
FUSE RATING (BS88) – HRC (A)		6	6	6	6	6	10	16	16
MAINS CABLE No. Cores		3	3	3	3	3	3	3	3

Notes: Extra High mode available via dip switch setting.

LGH-15RX₃ to LGH-200RX₃

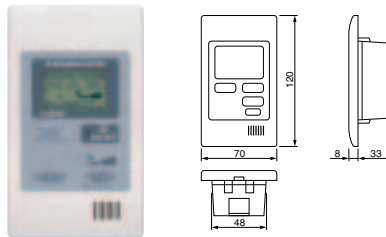
M-NET Controller PZ-52SF-E (M-NET)

Control 16 Lossnay units from sizes
15 -100 or up to 8, sizes 150 - 200



Lossnay Controller PZ-41SLB-E

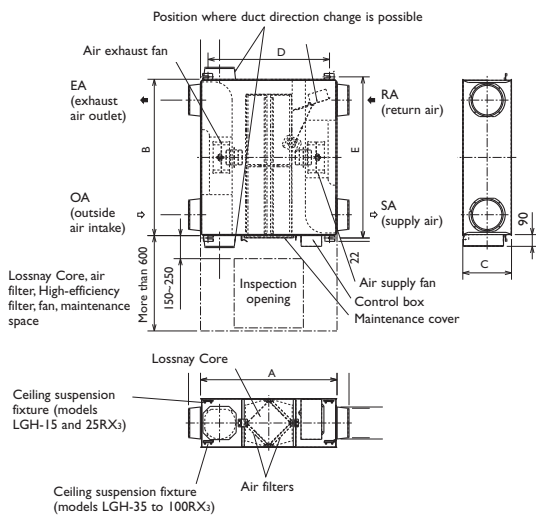
Control 15 Lossnay units from sizes
15 -100 or up to 7, sizes 150 - 200



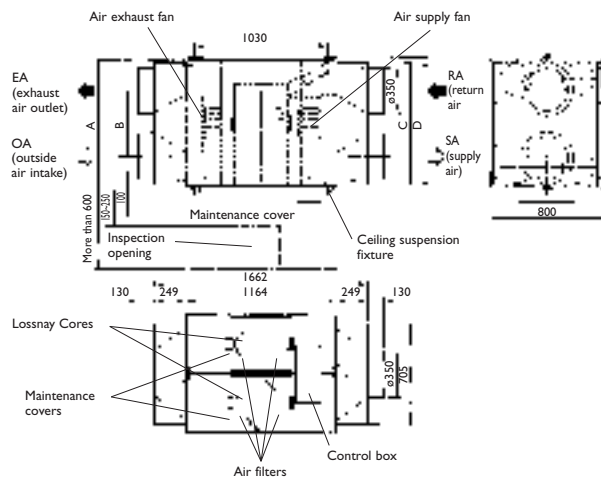
MODEL REFERENCE	DIMENSIONS			CEILING SUSPENSION FIXTURE PITCH		NOMINAL DIAMETER
	A	B	C	D	E	
LGH-15RX ₃	780	610	275	700	641	ø100
LGH-25RX ₃	780	735	275	700	765	ø150
LGH-35RX ₃	888	874	317	790	906	ø150
LGH-50RX ₃	888	1016	317	790	1048	ø200
LGH-80RX ₃	1164	1004	398	1030	1036	ø250
LGH-100RX ₃	1164	1231	398	1030	1263	ø250

MODEL REFERENCE	A	B	C	D
LGH-150RX ₃	1004	510	964	1046
LGH-200RX ₃	1231	740	1194	1273

LGH-15-100RX₃



LGH-150-200RX₃



This pdf has been downloaded from the website of :

“Supplying and installing the latest in air conditioning technology”

° Celsius
air conditioning

Celsius Air Conditioning Ltd, 1 Well Street, Heywood, Greater Manchester OL10 1NT

 01706 367 500  07000 CELSIUS  01706 367 355  sales@celsiusair.co.uk  www.celsiusair.co.uk

www.celsiusair.co.uk