

Total Heat Exchangers

Residential Series

Particularly suitable for modern homes with high insulation afforded by double glazing and cavity insulation, which require ventilation to remove stale air without major heat loss.

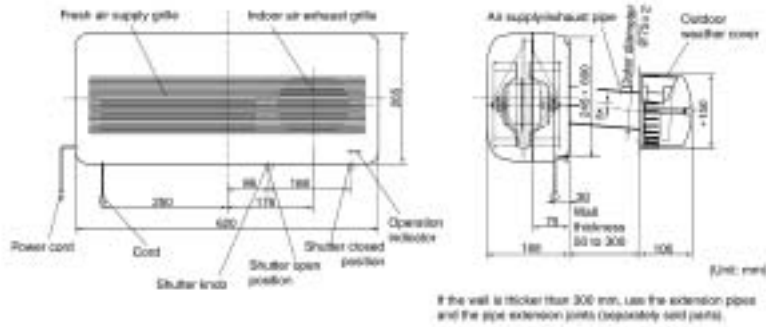
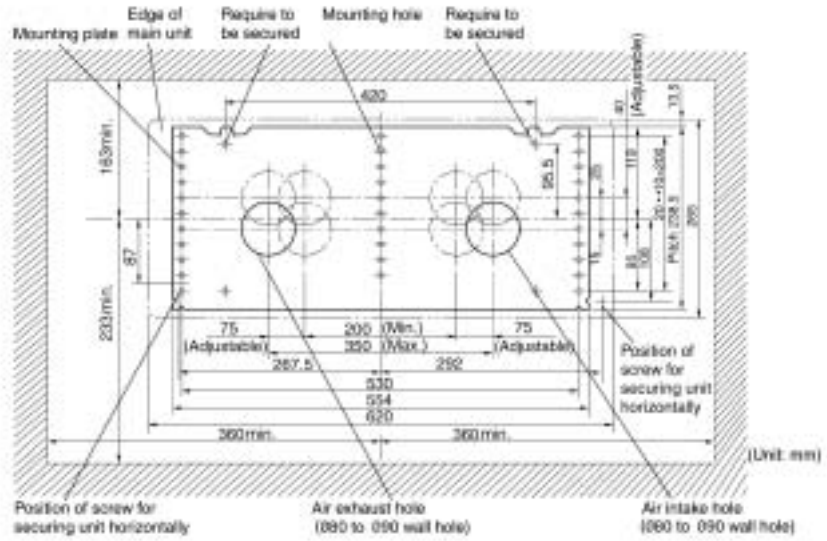
- > Effective fresh air ventilation
- > Efficient recovery of heating/cooling energy
- > Good sound attenuation
- > Reduces heating costs



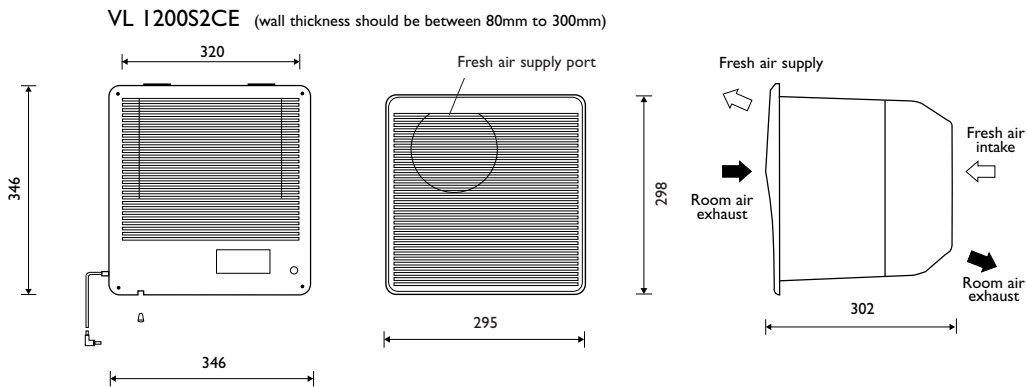
[Technical Information >>](#)

LOSSNAY		RESIDENTIAL WALL- MOUNTED VL 100U	RESIDENTIAL WALL- RECESSED VL 1200S2CE
MODEL REFERENCE			
ELECTRICAL POWER SUPPLY		220 - 240V, 50Hz	220 - 240V, 50Hz
PHASE		Single	Single
POWER CONSUMPTION (W)	Low	23	19
	High	26	30
AIRFLOW (m ³ /h)	Low	65	63
	High	105	95
NOISE (dBA)	Low	29.5	32.5
	High	39	40.5
EFFICIENCY (%)	Low	77	74
	High	70	64
WEIGHT (kg)		6.5	5.0
DIMENSIONS (mm)	Width	620	346
	Depth	168	302
	Height	265	346
DUCT SIZE (mm)		2xØ75	N/A
FUSE RATING (BS888) – HRC (A)		6	6
MAINS CABLE No. Cores		3	3

VL 100U



VL 1200S2CE



This pdf has been downloaded from the website of :

“Supplying and installing the latest in air conditioning technology”

° Celsius
air conditioning

Celsius Air Conditioning Ltd, 1 Well Street, Heywood, Greater Manchester OL10 1NT

 01706 367 500  07000 CELSIUS  01706 367 355  sales@celsiusair.co.uk  www.celsiusair.co.uk

www.celsiusair.co.uk